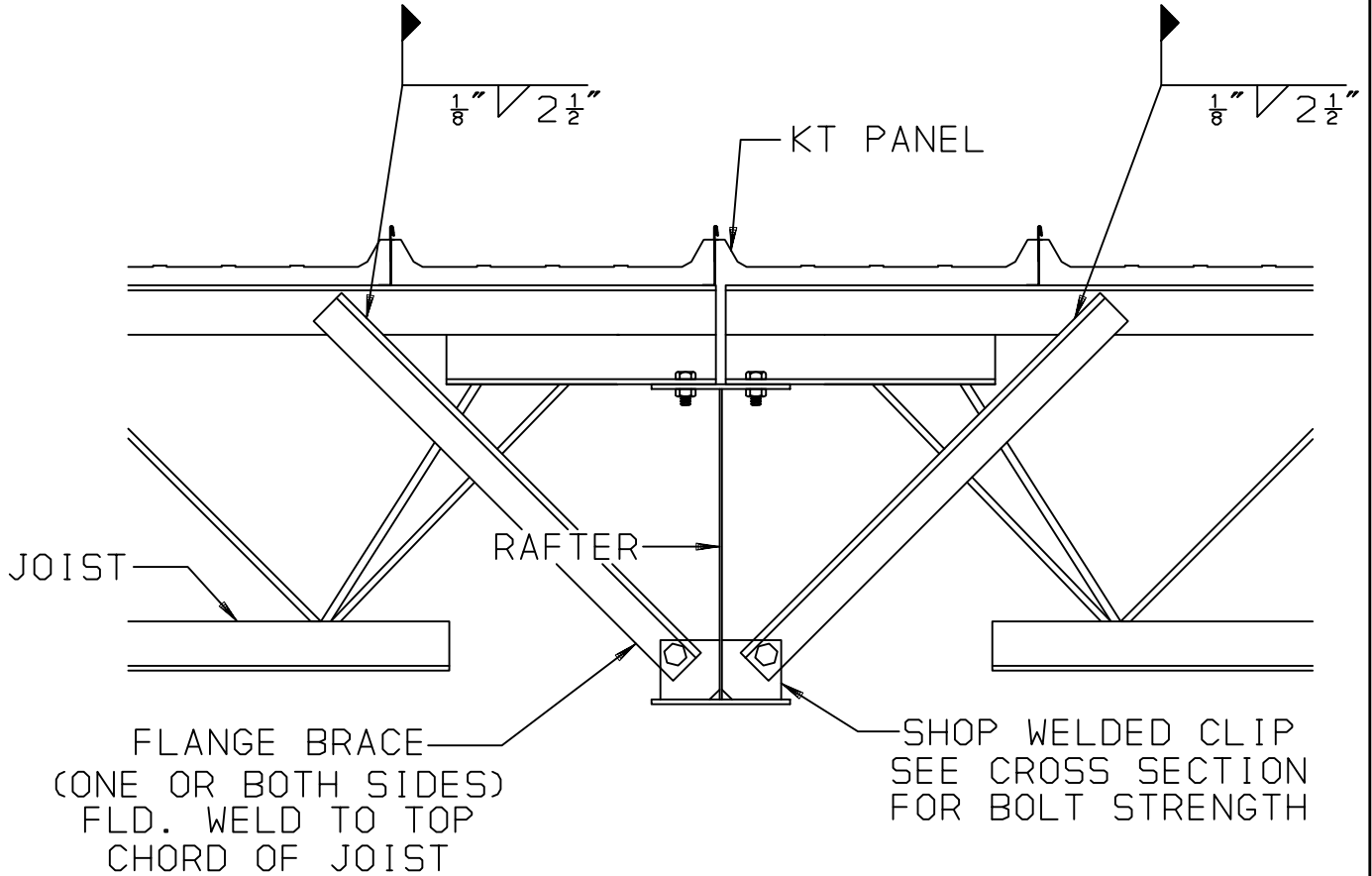


THIS DETAIL IS NOT FOR CONSTRUCTION

SECTION: **14**

**NOTE:** DUE TO KIRBY BUILDING SYSTEMS CONTINUING PROGRAM OF PRODUCT IMPROVEMENT, OUR CURRENT CUSTOM ERECTION DRAWINGS ARE BEING UPDATED. IF THERE IS A DISCREPANCY BETWEEN THIS DETAIL AND YOUR ERECTION DRAWINGS, THE ERECTION DRAWINGS GOVERN. ANY REFERENCES TO THIS DETAIL ARE SUBJECT TO CHANGE WITHOUT NOTICE.



CM-SRJ200

**ROOF JOIST DETAIL WITH BOLTED CONDITION**

ISSUE DATE: 3-17-06

REV.:

REV.:

REV.:

REV.:



BUILDING SYSTEMS  
124 KIRBY DRIVE, PORTLAND, TN 37148  
A DIVISION OF ASSOCIATED BUILDING SYSTEMS, INC.

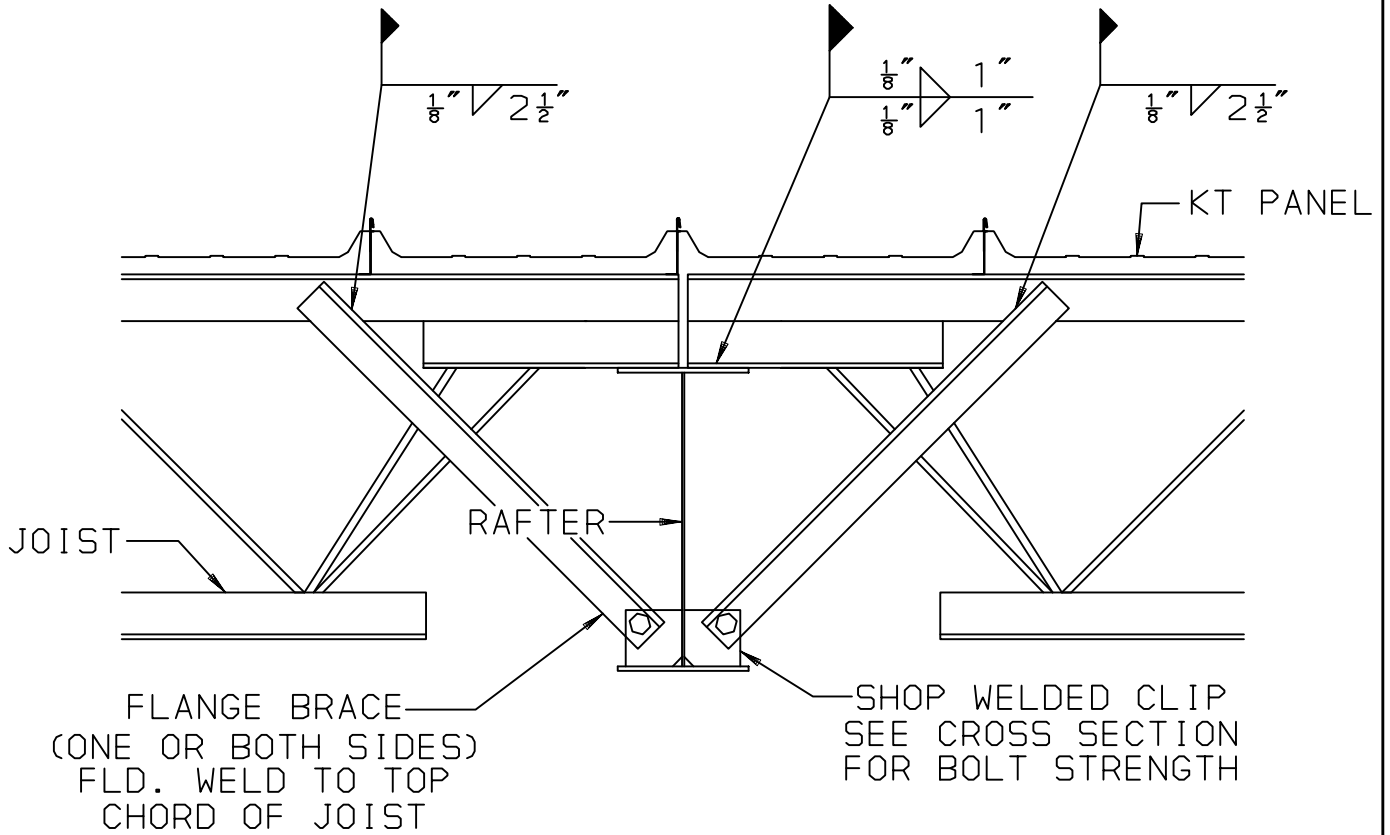
CM-SRJ200

COMPUTER SERVICES NUMBER: **CED\_CM-SRJ200**

**THIS DETAIL IS NOT FOR CONSTRUCTION**

SECTION: **14**

**NOTE:** DUE TO KIRBY BUILDING SYSTEMS CONTINUING PROGRAM OF PRODUCT IMPROVEMENT, OUR CURRENT CUSTOM ERECTION DRAWINGS ARE BEING UPDATED. IF THERE IS A DISCREPANCY BETWEEN THIS DETAIL AND YOUR ERECTION DRAWINGS, THE ERECTION DRAWINGS GOVERN. ANY REFERENCES TO THIS DETAIL ARE SUBJECT TO CHANGE WITHOUT NOTICE.



CM-SRJ201

**ROOF JOIST DETAIL WITH WELDED CONDITION**

ISSUE DATE: 3-17-06

REV.:

REV.:

REV.:

REV.:

**Kirby**

BUILDING SYSTEMS  
124 KIRBY DRIVE, PORTLAND, TN 37148  
A DIVISION OF ASSOCIATED BUILDING SYSTEMS, INC.

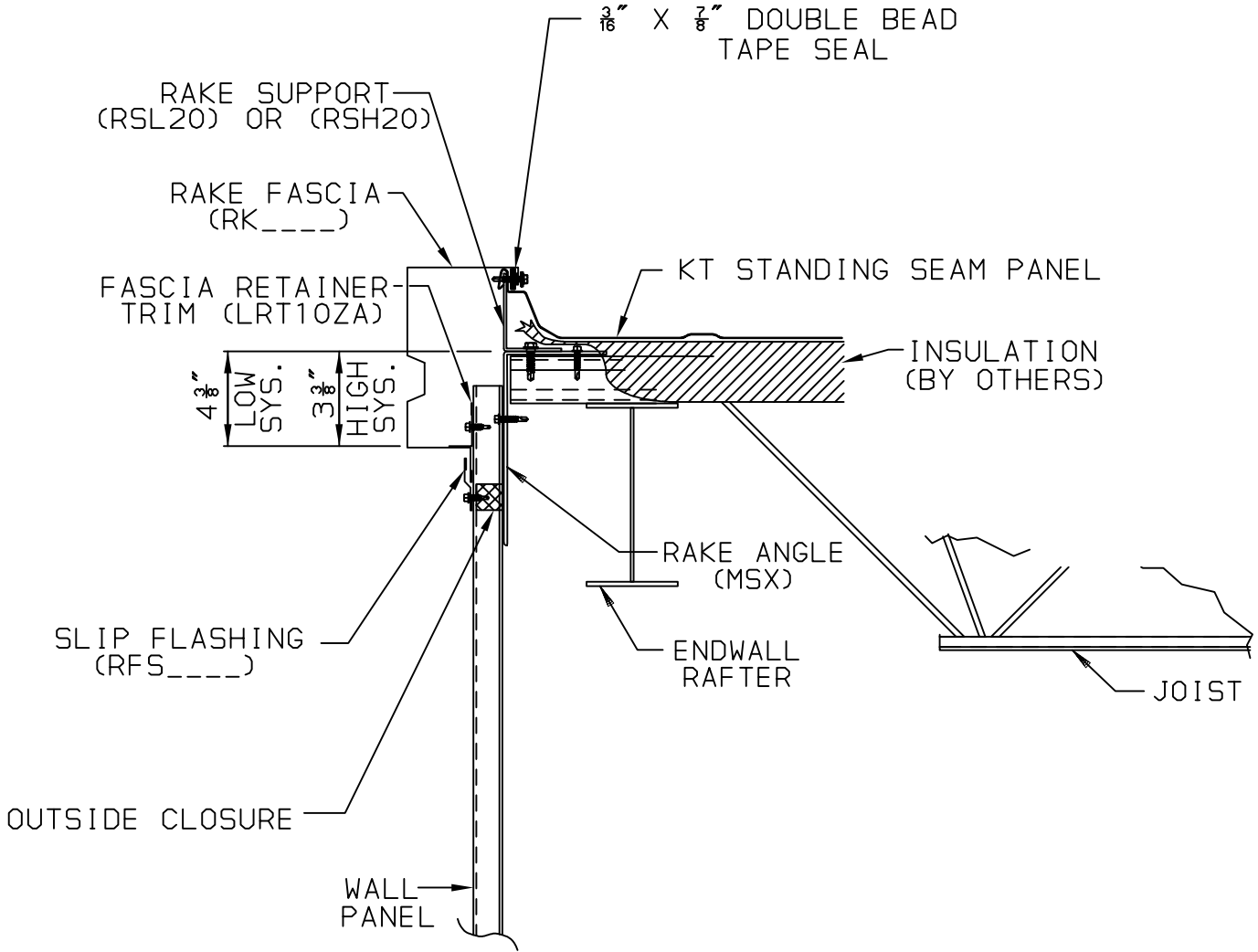
CM-SRJ201

COMPUTER SERVICES NUMBER: **CED\_CM-SRJ201**

**THIS DETAIL IS NOT FOR CONSTRUCTION**

SECTION: **14**

**NOTE:** DUE TO KIRBY BUILDING SYSTEMS CONTINUING PROGRAM OF PRODUCT IMPROVEMENT, OUR CURRENT CUSTOM ERECTION DRAWINGS ARE BEING UPDATED. IF THERE IS A DISCREPANCY BETWEEN THIS DETAIL AND YOUR ERECTION DRAWINGS, THE ERECTION DRAWINGS GOVERN. ANY REFERENCES TO THIS DETAIL ARE SUBJECT TO CHANGE WITHOUT NOTICE.



CM-SRJ212

**KT STARTING RAKE DETAIL WITH ROOF JOIST**

ISSUE DATE: 3-17-06

REV.:

REV.:

REV.:

REV.:



BUILDING SYSTEMS  
124 KIRBY DRIVE, PORTLAND, TN 37148  
A DIVISION OF ASSOCIATED BUILDING SYSTEMS, INC.

CM-SRJ212

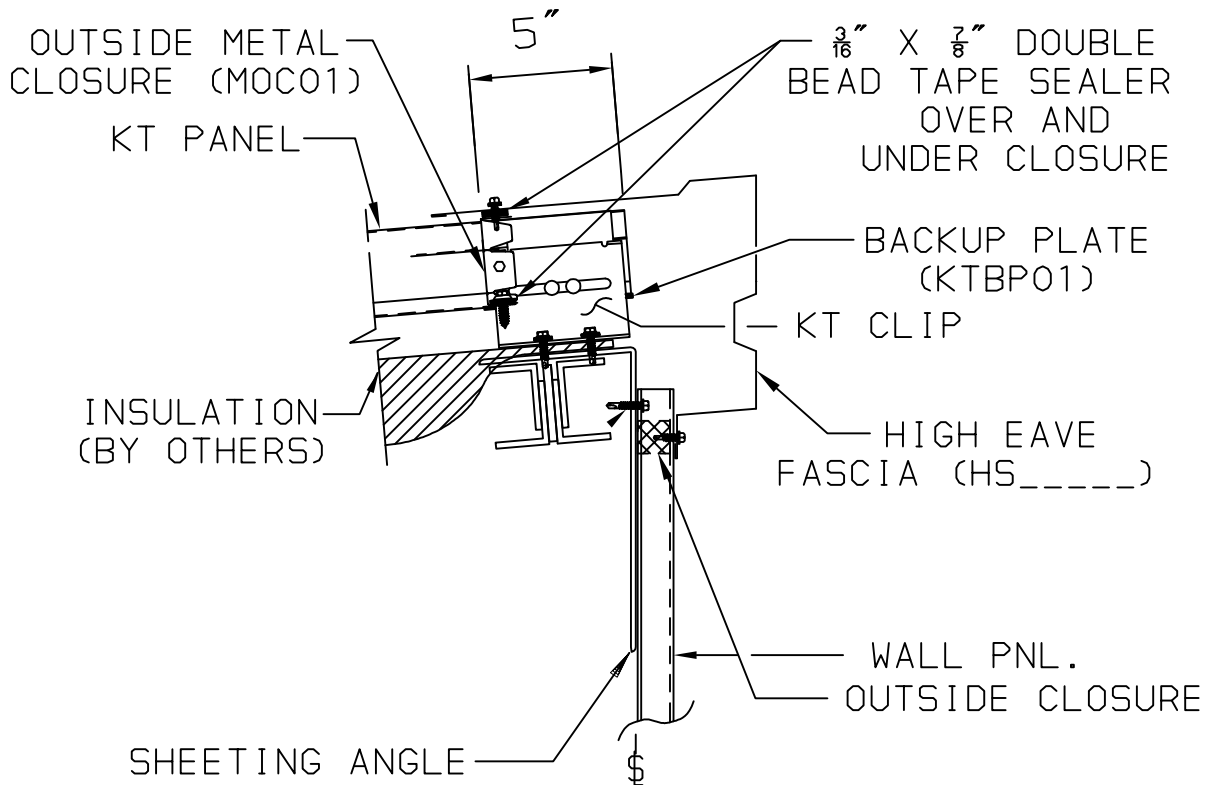
COMPUTER SERVICES NUMBER: **CED\_CM-SRJ212**

**THIS DETAIL IS NOT FOR CONSTRUCTION**

SECTION: **14**

**NOTE:** DUE TO KIRBY BUILDING SYSTEMS CONTINUING PROGRAM OF PRODUCT IMPROVEMENT, OUR CURRENT CUSTOM ERECTION DRAWINGS ARE BEING UPDATED. IF THERE IS A DISCREPANCY BETWEEN THIS DETAIL AND YOUR ERECTION DRAWINGS, THE ERECTION DRAWINGS GOVERN. ANY REFERENCES TO THIS DETAIL ARE SUBJECT TO CHANGE WITHOUT NOTICE.

**NOTE:**  
A SEAM CLOSURE (SC1) IS REQUIRED TO CLOSE EACH PANEL SEAM REFER TO ERECTION MANUAL FOR PROPER INSTALLATION



CM-SRJ214

**KT HIGH EAVE DETAIL WITH ROOF JOIST**

ISSUE DATE: 3-17-06

REV.:

REV.:

REV.:

REV.:



BUILDING SYSTEMS  
124 KIRBY DRIVE, PORTLAND, TN 37148  
A DIVISION OF ASSOCIATED BUILDING SYSTEMS, INC.

CM-SRJ214

COMPUTER SERVICES NUMBER: **CED\_CM-SRJ214**

**THIS DETAIL IS NOT FOR CONSTRUCTION**

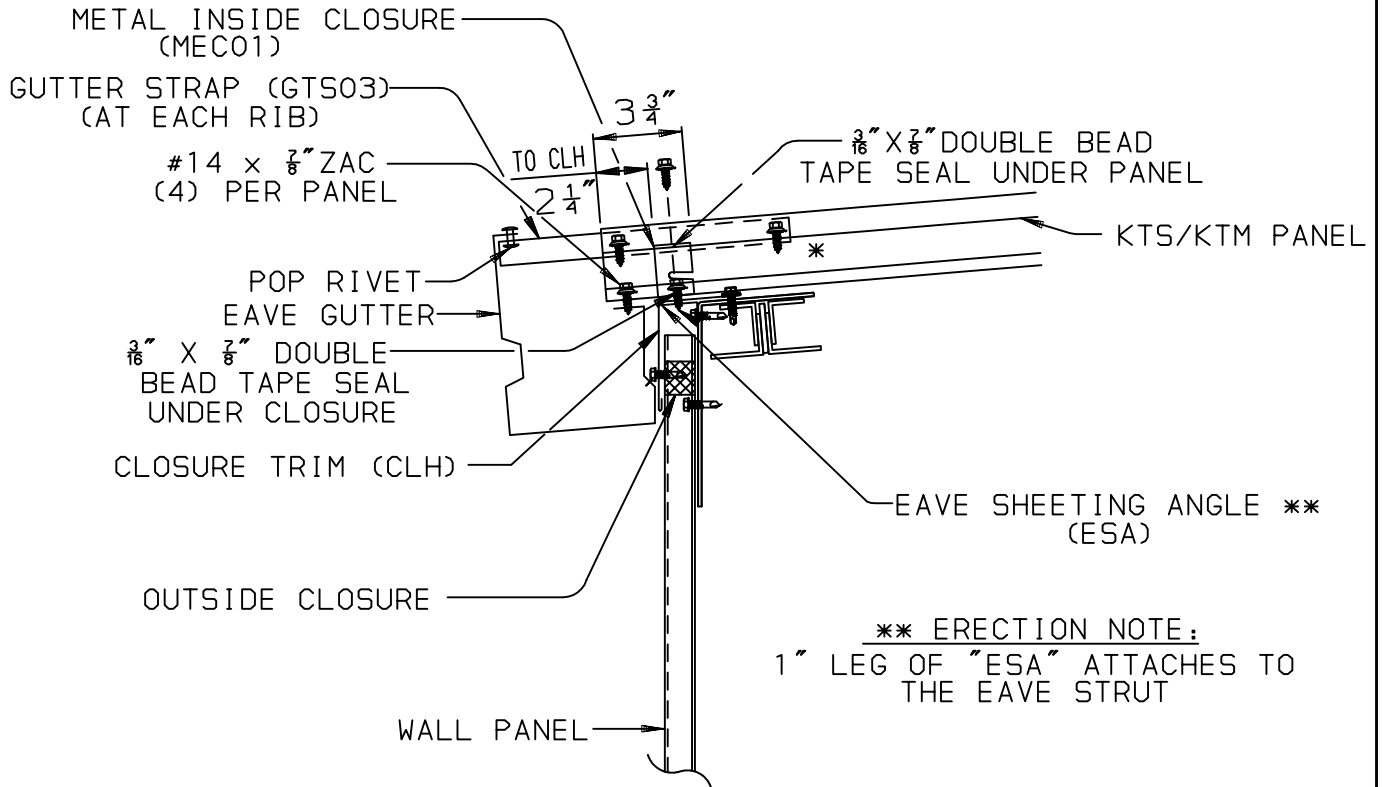
SECTION: **14**

**NOTE:** DUE TO KIRBY BUILDING SYSTEMS CONTINUING PROGRAM OF PRODUCT IMPROVEMENT, OUR CURRENT CUSTOM ERECTION DRAWINGS ARE BEING UPDATED. IF THERE IS A DISCREPANCY BETWEEN THIS DETAIL AND YOUR ERECTION DRAWINGS, THE ERECTION DRAWINGS GOVERN. ANY REFERENCES TO THIS DETAIL ARE SUBJECT TO CHANGE WITHOUT NOTICE.

**NOTE:**

APPLY  $\frac{3}{8}$ " BEAD OF TUBE CAULK TO THE MALE LEG OF THE KTS/KTM PANEL FROM THE EAVE UPHILL 6"

\*=TAPE SEAL IS REQ'D BETWEEN GUTTER STRAP AND ROOF PANEL



CM-SRJ9215

**KT GUTTER DETAIL WITH ROOF JOIST**

ISSUE DATE: 3-17-06    REV.:    REV.:    REV.:    REV.:



BUILDING SYSTEMS  
124 KIRBY DRIVE, PORTLAND, TN 37148  
A DIVISION OF ASSOCIATED BUILDING SYSTEMS, INC.

CM-SRJ9215

COMPUTER SERVICES NUMBER: **CED\_CM-SRJ9215**