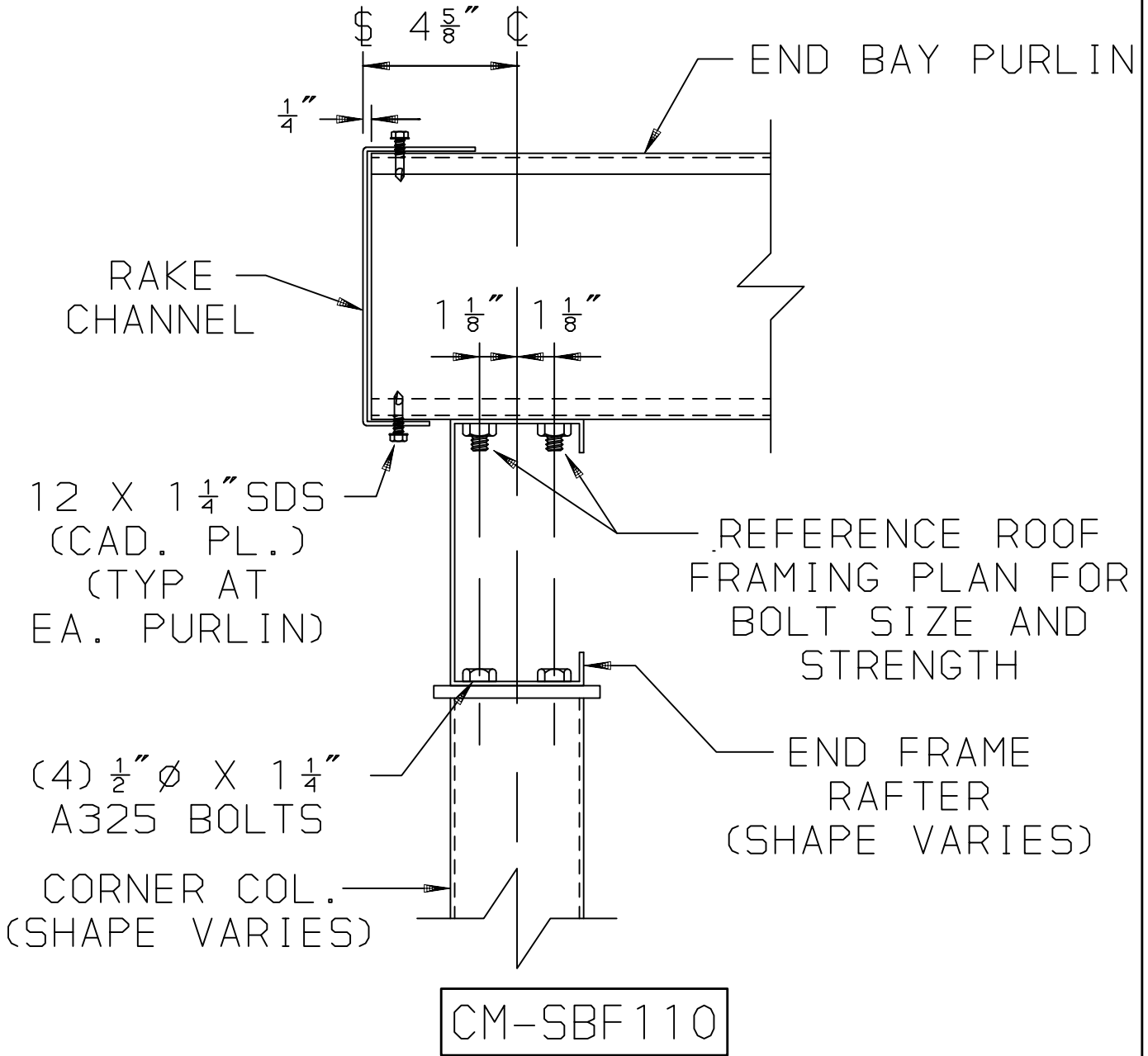


THIS DETAIL IS NOT FOR CONSTRUCTION

SECTION: **2**

**NOTE:** DUE TO KIRBY BUILDING SYSTEMS CONTINUING PROGRAM OF PRODUCT IMPROVEMENT, OUR CURRENT CUSTOM ERECTION DRAWINGS ARE BEING UPDATED. IF THERE IS A DISCREPANCY BETWEEN THIS DETAIL AND YOUR ERECTION DRAWINGS, THE ERECTION DRAWINGS GOVERN. ANY REFERENCES TO THIS DETAIL ARE SUBJECT TO CHANGE WITHOUT NOTICE.



**END BAY FRAME CONNECTION AT CORNER COLUMN (FLUSH GIRTS)**

ISSUE DATE: 3-17-06

REV.:

REV.:

REV.:

REV.:



BUILDING SYSTEMS  
124 KIRBY DRIVE, PORTLAND, TN 37148  
A DIVISION OF ASSOCIATED BUILDING SYSTEMS, INC.

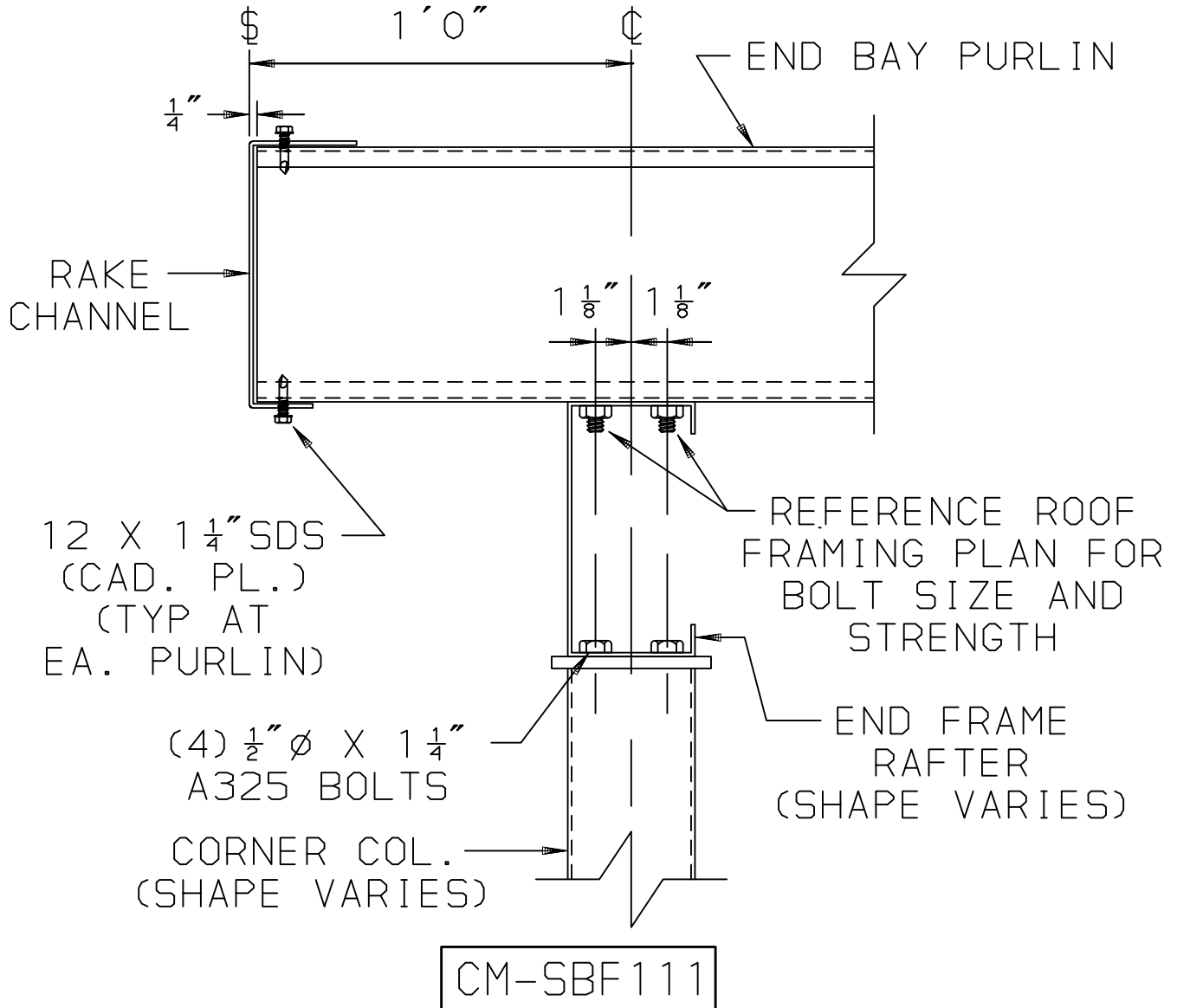
CM-SBF110

COMPUTER SERVICES NUMBER: **CED\_CM-SBF110**

**THIS DETAIL IS NOT FOR CONSTRUCTION**

SECTION: **2**

**NOTE:** DUE TO KIRBY BUILDING SYSTEMS CONTINUING PROGRAM OF PRODUCT IMPROVEMENT, OUR CURRENT CUSTOM ERECTION DRAWINGS ARE BEING UPDATED. IF THERE IS A DISCREPANCY BETWEEN THIS DETAIL AND YOUR ERECTION DRAWINGS, THE ERECTION DRAWINGS GOVERN. ANY REFERENCES TO THIS DETAIL ARE SUBJECT TO CHANGE WITHOUT NOTICE.



**END BAY FRAME CONNECTION AT  
CORNER COLUMN (BY-FRAMED GIRTS)**

ISSUE DATE: 3-17-06

REV.:

REV.:

REV.:

REV.:

**Kirby**

BUILDING SYSTEMS  
124 KIRBY DRIVE, PORTLAND, TN 37148  
A DIVISION OF ASSOCIATED BUILDING SYSTEMS, INC.

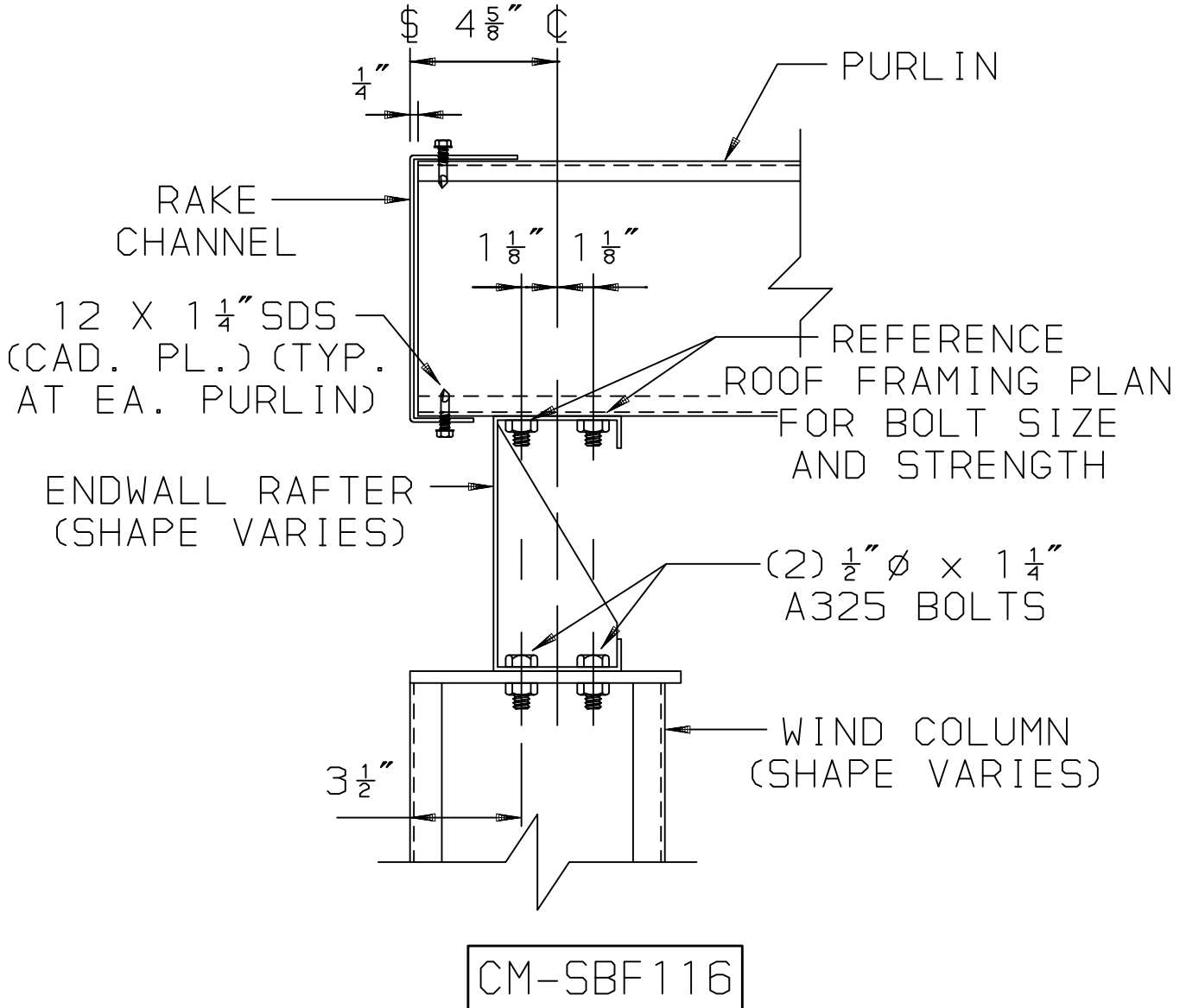
**CM-SBF111**

COMPUTER SERVICES NUMBER: **CED\_CM-SBF111**

**THIS DETAIL IS NOT FOR CONSTRUCTION**

SECTION: **2**

**NOTE:** DUE TO KIRBY BUILDING SYSTEMS CONTINUING PROGRAM OF PRODUCT IMPROVEMENT, OUR CURRENT CUSTOM ERECTION DRAWINGS ARE BEING UPDATED. IF THERE IS A DISCREPANCY BETWEEN THIS DETAIL AND YOUR ERECTION DRAWINGS, THE ERECTION DRAWINGS GOVERN. ANY REFERENCES TO THIS DETAIL ARE SUBJECT TO CHANGE WITHOUT NOTICE.



**ENDWALL COLUMN TO RAFTER CONNECTION (FLUSH GIRTS)**

ISSUE DATE: 3-17-06

REV.:

REV.:

REV.:

REV.:

**Kirby**

BUILDING SYSTEMS  
124 KIRBY DRIVE, PORTLAND, TN 37148  
A DIVISION OF ASSOCIATED BUILDING SYSTEMS, INC.

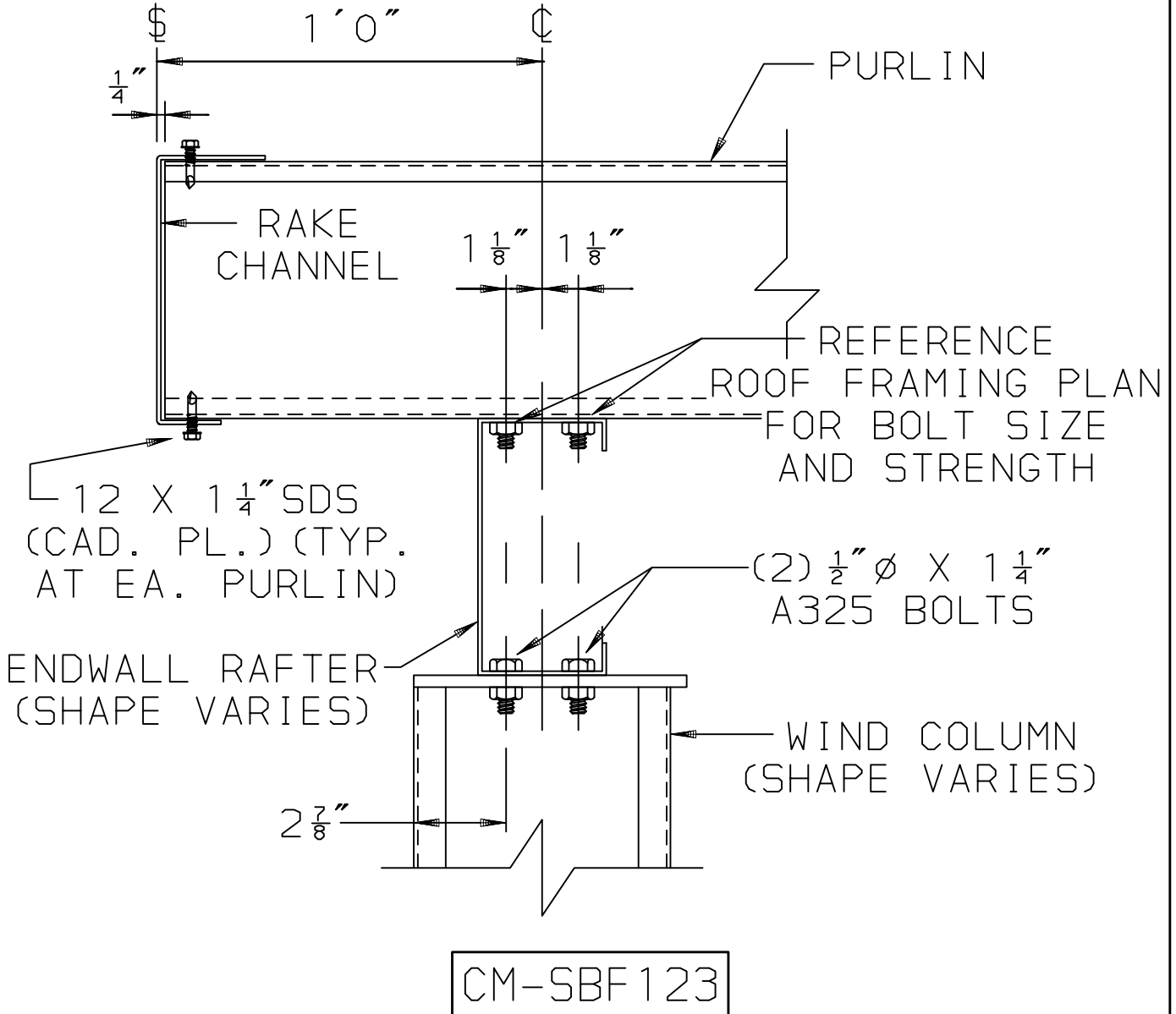
**CM-SBF116**

COMPUTER SERVICES NUMBER: **CED\_CM-SBF116**

THIS DETAIL IS NOT FOR CONSTRUCTION

SECTION: **2**

**NOTE:** DUE TO KIRBY BUILDING SYSTEMS CONTINUING PROGRAM OF PRODUCT IMPROVEMENT, OUR CURRENT CUSTOM ERECTION DRAWINGS ARE BEING UPDATED. IF THERE IS A DISCREPANCY BETWEEN THIS DETAIL AND YOUR ERECTION DRAWINGS, THE ERECTION DRAWINGS GOVERN. ANY REFERENCES TO THIS DETAIL ARE SUBJECT TO CHANGE WITHOUT NOTICE.



**ENDWALL COLUMN TO RAFTER CONNECTION (BY-FRAMED GIRTS)**

ISSUE DATE: 3-17-06

REV.:

REV.:

REV.:

REV.:

**Kirby**

BUILDING SYSTEMS  
124 KIRBY DRIVE, PORTLAND, TN 37148  
A DIVISION OF ASSOCIATED BUILDING SYSTEMS, INC.

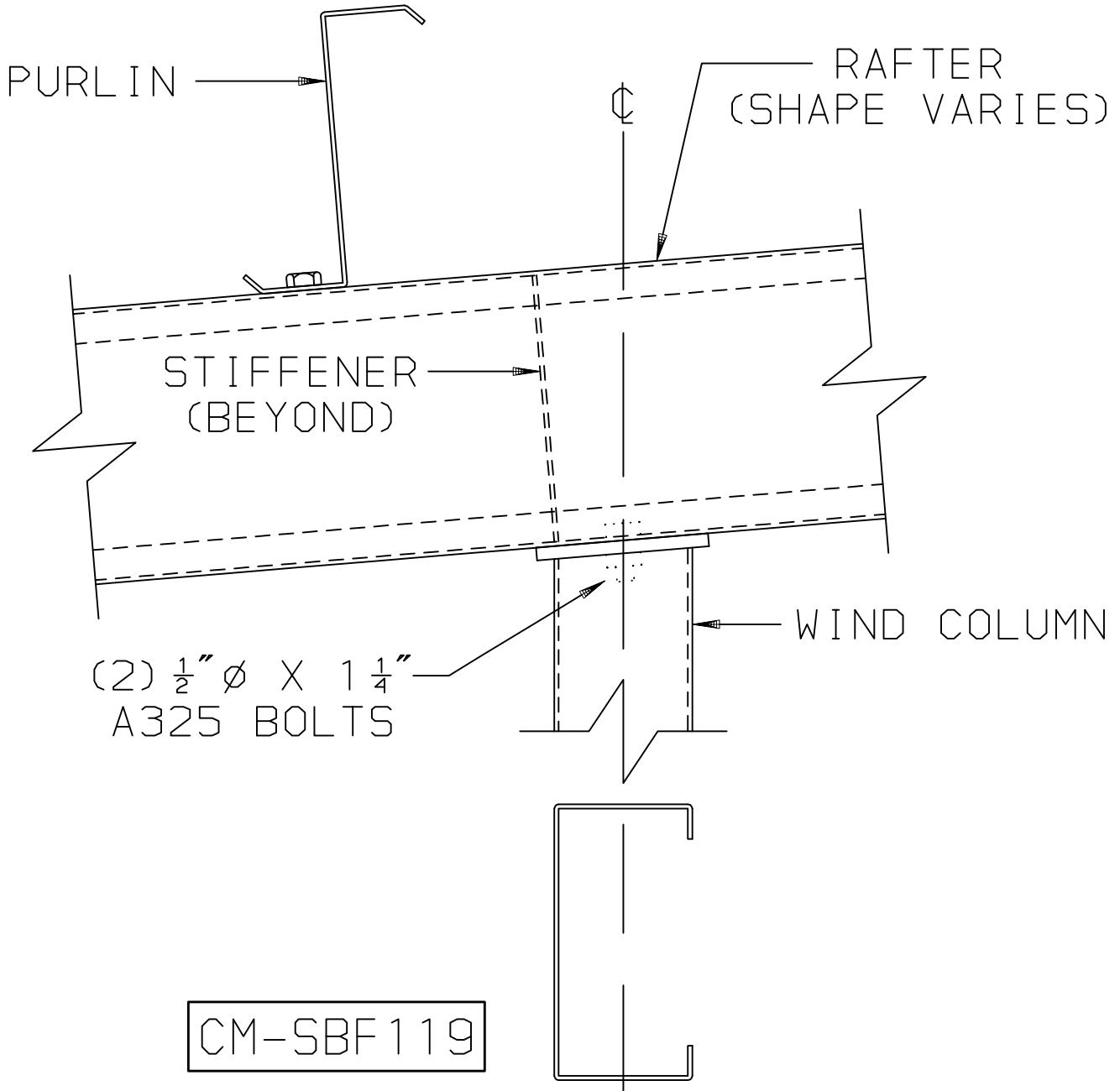
CM-SBF123

COMPUTER SERVICES NUMBER: **CED\_CM-SBF123**

THIS DETAIL IS NOT FOR CONSTRUCTION

SECTION: 2

NOTE: DUE TO KIRBY BUILDING SYSTEMS CONTINUING PROGRAM OF PRODUCT IMPROVEMENT, OUR CURRENT CUSTOM ERECTION DRAWINGS ARE BEING UPDATED. IF THERE IS A DISCREPANCY BETWEEN THIS DETAIL AND YOUR ERECTION DRAWINGS, THE ERECTION DRAWINGS GOVERN. ANY REFERENCES TO THIS DETAIL ARE SUBJECT TO CHANGE WITHOUT NOTICE.



STANDARD FRAME CONNECTION AT ENDWALL

ISSUE DATE: 3-17-06

REV.:

REV.:

REV.:

REV.:

**Kirby**

BUILDING SYSTEMS  
124 KIRBY DRIVE, PORTLAND, TN 37148  
A DIVISION OF ASSOCIATED BUILDING SYSTEMS, INC.

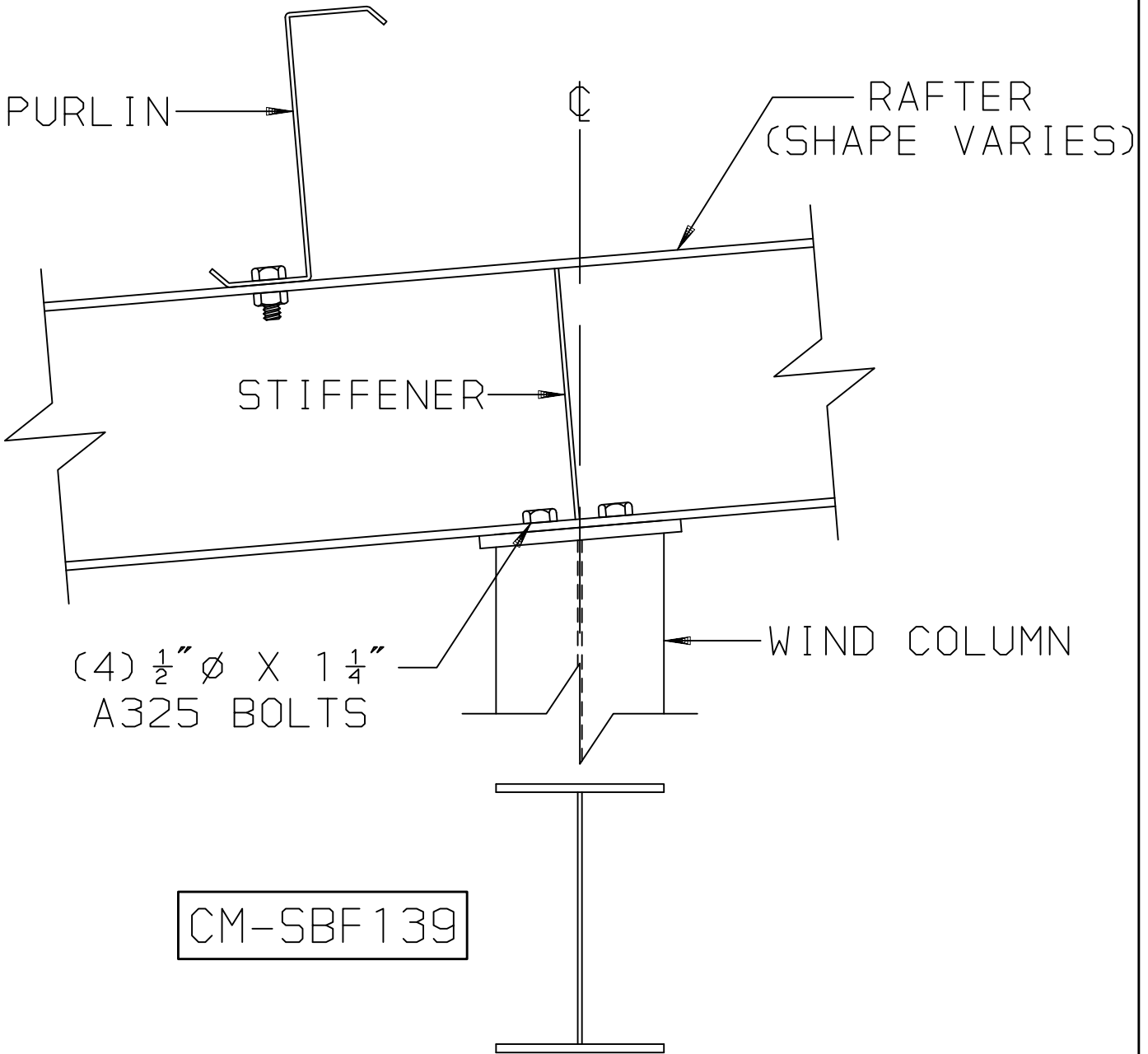
CM-SBF119

COMPUTER SERVICES NUMBER: CED\_CM-SBF119

THIS DETAIL IS NOT FOR CONSTRUCTION

SECTION: 2

NOTE: DUE TO KIRBY BUILDING SYSTEMS CONTINUING PROGRAM OF PRODUCT IMPROVEMENT, OUR CURRENT CUSTOM ERECTION DRAWINGS ARE BEING UPDATED. IF THERE IS A DISCREPANCY BETWEEN THIS DETAIL AND YOUR ERECTION DRAWINGS, THE ERECTION DRAWINGS GOVERN. ANY REFERENCES TO THIS DETAIL ARE SUBJECT TO CHANGE WITHOUT NOTICE.



STANDARD FRAME CONNECTION AT ENDWALL COLUMN

ISSUE DATE: 3-17-06

REV.:

REV.:

REV.:

REV.:



BUILDING SYSTEMS  
124 KIRBY DRIVE, PORTLAND, TN 37148  
A DIVISION OF ASSOCIATED BUILDING SYSTEMS, INC.

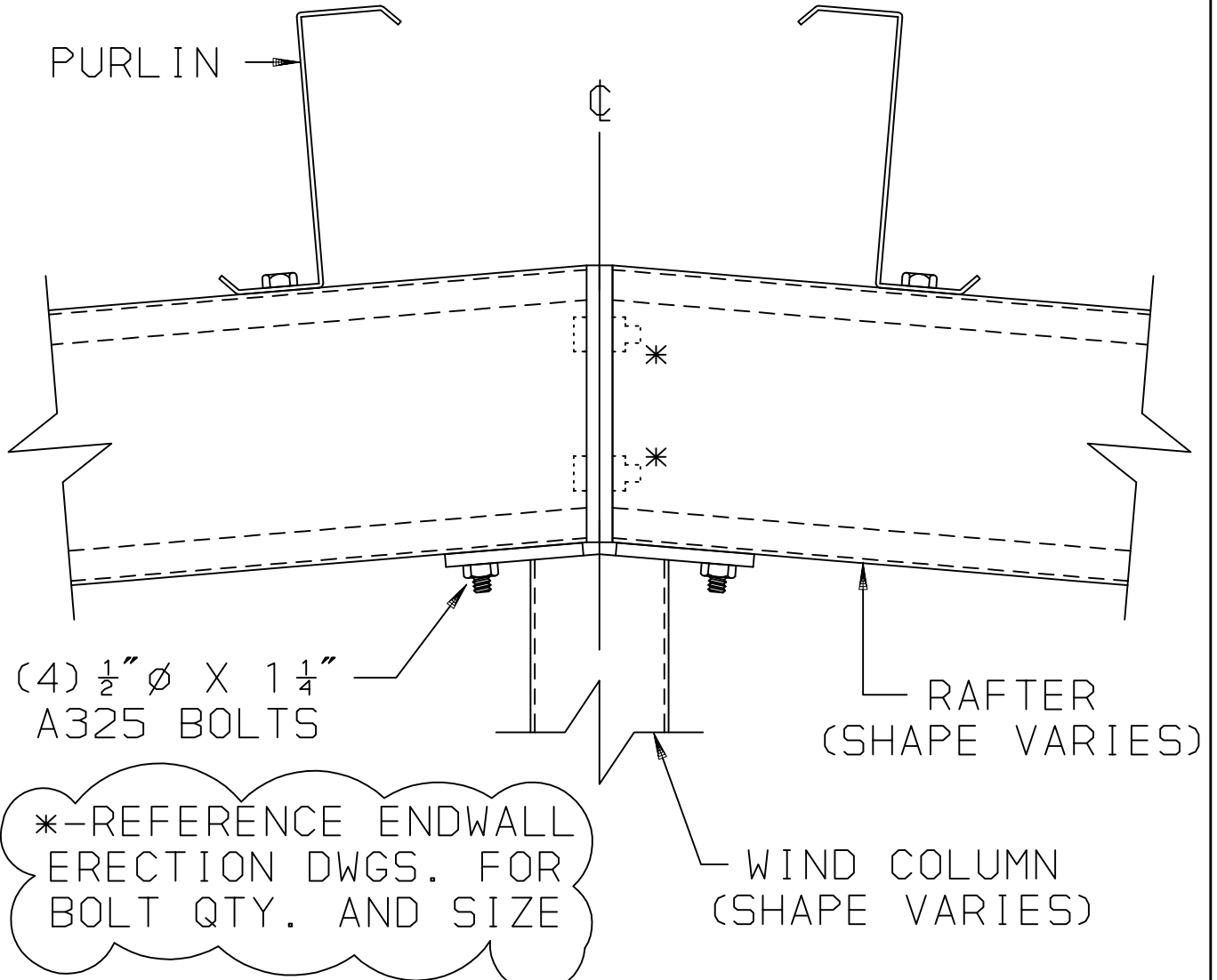
CM-SBF 139

COMPUTER SERVICES NUMBER: CED\_CM-SBF139

THIS DETAIL IS NOT FOR CONSTRUCTION

SECTION: **2**

NOTE: DUE TO KIRBY BUILDING SYSTEMS CONTINUING PROGRAM OF PRODUCT IMPROVEMENT, OUR CURRENT CUSTOM ERECTION DRAWINGS ARE BEING UPDATED. IF THERE IS A DISCREPANCY BETWEEN THIS DETAIL AND YOUR ERECTION DRAWINGS, THE ERECTION DRAWINGS GOVERN. ANY REFERENCES TO THIS DETAIL ARE SUBJECT TO CHANGE WITHOUT NOTICE.



CM-SBF149

STANDARD FRAME CONNECTION  
AT ENDWALL PEAK COLUMN

ISSUE DATE: 3-17-06

REV.:

REV.:

REV.:

REV.:

**Kirby**

BUILDING SYSTEMS  
124 KIRBY DRIVE, PORTLAND, TN 37148  
A DIVISION OF ASSOCIATED BUILDING SYSTEMS, INC.

CM-SBF149

COMPUTER SERVICES NUMBER: **CEM-SBF149**