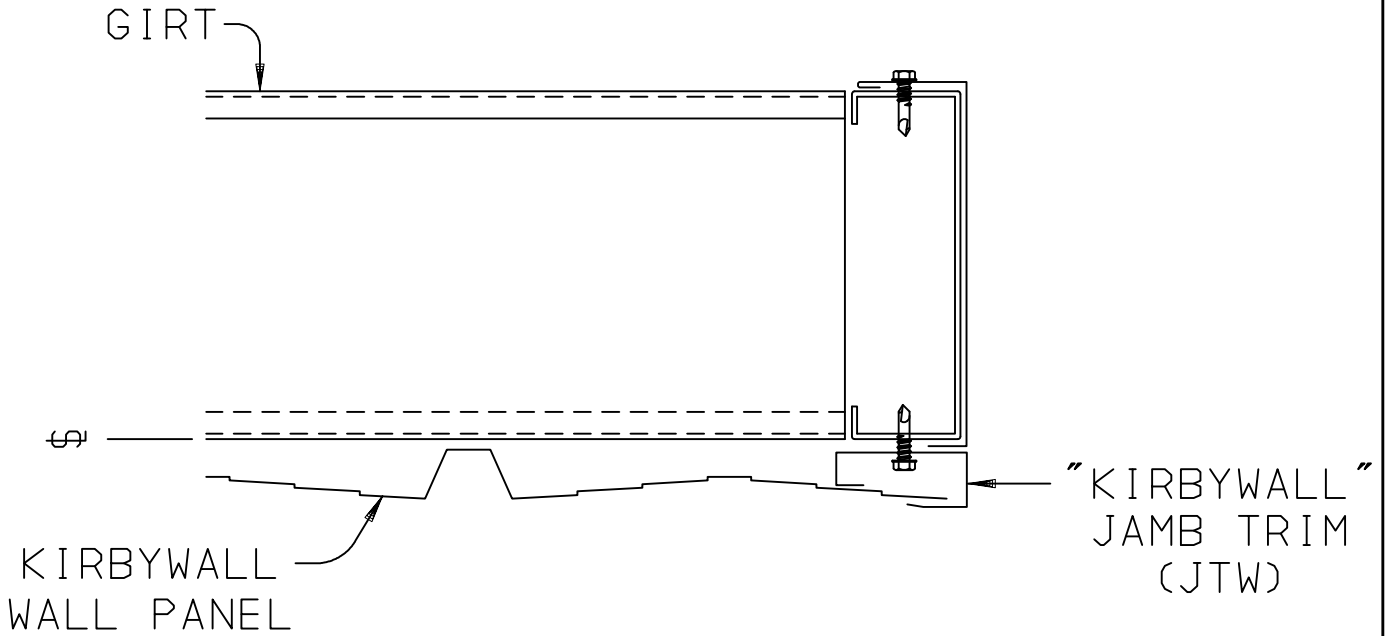


THIS DETAIL IS NOT FOR CONSTRUCTION

SECTION: 9

NOTE: DUE TO KIRBY BUILDING SYSTEMS CONTINUING PROGRAM OF PRODUCT IMPROVEMENT, OUR CURRENT CUSTOM ERECTION DRAWINGS ARE BEING UPDATED. IF THERE IS A DISCREPANCY BETWEEN THIS DETAIL AND YOUR ERECTION DRAWINGS, THE ERECTION DRAWINGS GOVERN. ANY REFERENCES TO THIS DETAIL ARE SUBJECT TO CHANGE WITHOUT NOTICE.



CM-SPL168

STANDARD JAMB CONDITION WITH KIRBYWALL

ISSUE DATE: 3-17-06

REV.:

REV.:

REV.:

REV.:



BUILDING SYSTEMS  
124 KIRBY DRIVE, PORTLAND, TN 37148  
A DIVISION OF ASSOCIATED BUILDING SYSTEMS, INC.

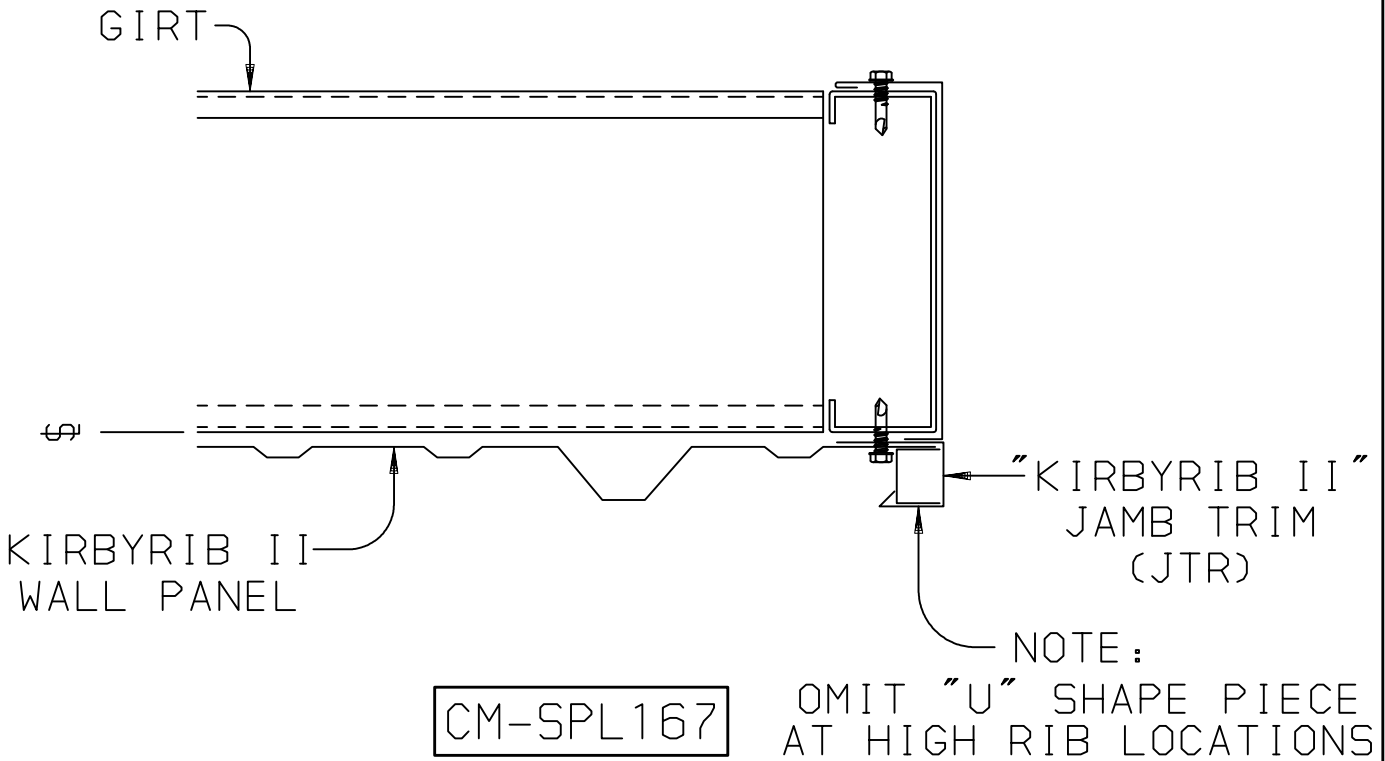
CM-SPL168

COMPUTER SERVICES NUMBER: CED\_CM-SPL168

THIS DETAIL IS NOT FOR CONSTRUCTION

SECTION: 9

NOTE: DUE TO KIRBY BUILDING SYSTEMS CONTINUING PROGRAM OF PRODUCT IMPROVEMENT, OUR CURRENT CUSTOM ERECTION DRAWINGS ARE BEING UPDATED. IF THERE IS A DISCREPANCY BETWEEN THIS DETAIL AND YOUR ERECTION DRAWINGS, THE ERECTION DRAWINGS GOVERN. ANY REFERENCES TO THIS DETAIL ARE SUBJECT TO CHANGE WITHOUT NOTICE.



STANDARD JAMB CONDITION WITH KIRBYRIB II

ISSUE DATE: 3-17-06

REV.:

REV.:

REV.:

REV.:



BUILDING SYSTEMS  
124 KIRBY DRIVE, PORTLAND, TN 37148  
A DIVISION OF ASSOCIATED BUILDING SYSTEMS, INC.

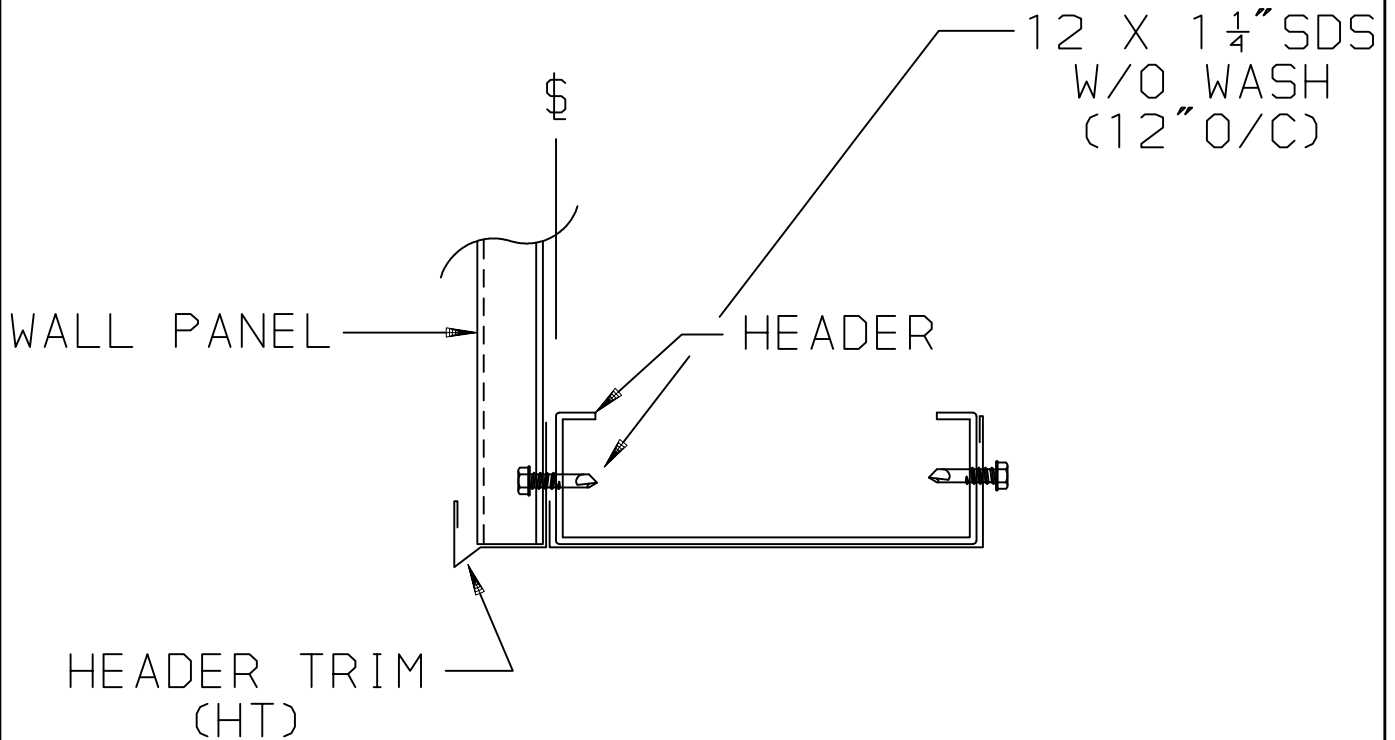
CM-SPL167

COMPUTER SERVICES NUMBER: CED\_CM-SPL167

THIS DETAIL IS NOT FOR CONSTRUCTION

SECTION: 9

NOTE: DUE TO KIRBY BUILDING SYSTEMS CONTINUING PROGRAM OF PRODUCT IMPROVEMENT, OUR CURRENT CUSTOM ERECTION DRAWINGS ARE BEING UPDATED. IF THERE IS A DISCREPANCY BETWEEN THIS DETAIL AND YOUR ERECTION DRAWINGS, THE ERECTION DRAWINGS GOVERN. ANY REFERENCES TO THIS DETAIL ARE SUBJECT TO CHANGE WITHOUT NOTICE.



CM-SPL169

STANDARD HEADER CONDITION

ISSUE DATE: 3-17-06

REV.:

REV.:

REV.:

REV.:

**Kirby**

BUILDING SYSTEMS  
124 KIRBY DRIVE, PORTLAND, TN 37148  
A DIVISION OF ASSOCIATED BUILDING SYSTEMS, INC.

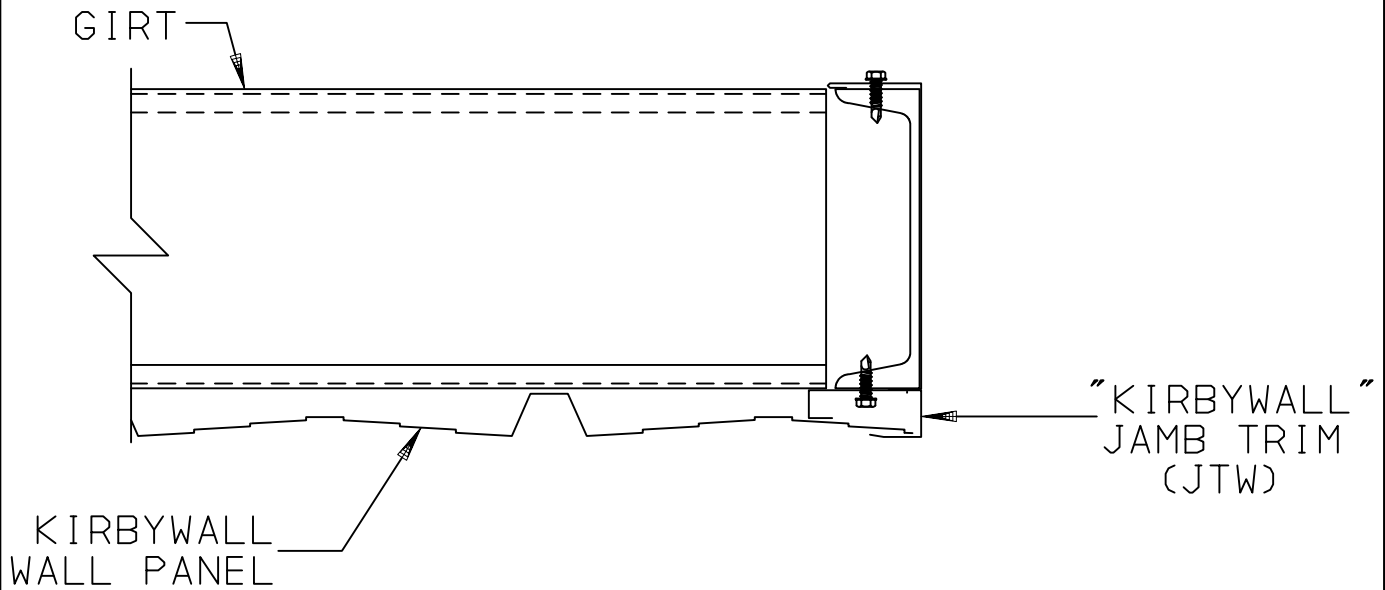
CM-SPL169

COMPUTER SERVICES NUMBER: CED\_CM-SPL169

THIS DETAIL IS NOT FOR CONSTRUCTION

SECTION: 9

NOTE: DUE TO KIRBY BUILDING SYSTEMS CONTINUING PROGRAM OF PRODUCT IMPROVEMENT, OUR CURRENT CUSTOM ERECTION DRAWINGS ARE BEING UPDATED. IF THERE IS A DISCREPANCY BETWEEN THIS DETAIL AND YOUR ERECTION DRAWINGS, THE ERECTION DRAWINGS GOVERN. ANY REFERENCES TO THIS DETAIL ARE SUBJECT TO CHANGE WITHOUT NOTICE.



CM-SPL162

STRUCTURAL JAMB CONNECTION WITH KIRBYWALL

ISSUE DATE: 3-17-06

REV.:

REV.:

REV.:

REV.:

**Kirby**   
BUILDING SYSTEMS

124 KIRBY DRIVE, PORTLAND, TN 37148  
A DIVISION OF ASSOCIATED BUILDING SYSTEMS, INC.

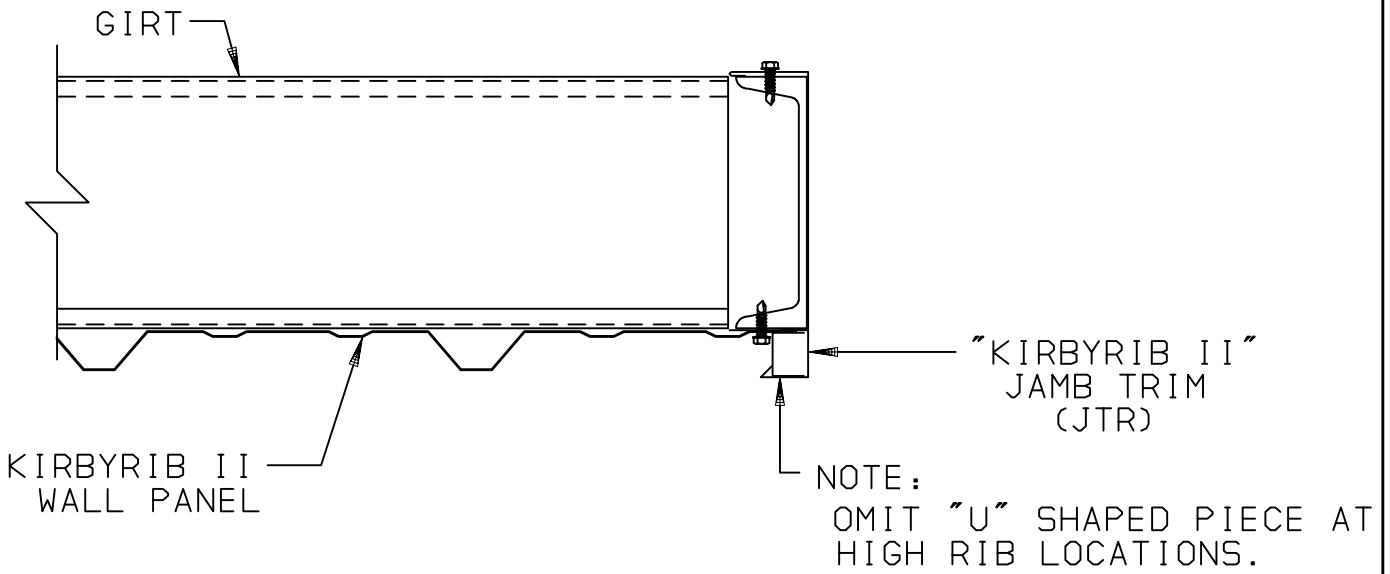
CM-SPL162

COMPUTER SERVICES NUMBER: CED\_CM-SPL162

THIS DETAIL IS NOT FOR CONSTRUCTION

SECTION: 9

NOTE: DUE TO KIRBY BUILDING SYSTEMS CONTINUING PROGRAM OF PRODUCT IMPROVEMENT, OUR CURRENT CUSTOM ERECTION DRAWINGS ARE BEING UPDATED. IF THERE IS A DISCREPANCY BETWEEN THIS DETAIL AND YOUR ERECTION DRAWINGS, THE ERECTION DRAWINGS GOVERN. ANY REFERENCES TO THIS DETAIL ARE SUBJECT TO CHANGE WITHOUT NOTICE.



CM-SPL163

STRUCTURAL JAMB CONNECTION WITH KIRBYRIB II

ISSUE DATE: 3-17-06    REV.:#    REV.:#    REV.:#    REV.:#



124 KIRBY DRIVE, PORTLAND, TN 37148  
A DIVISION OF ASSOCIATED BUILDING SYSTEMS, INC.

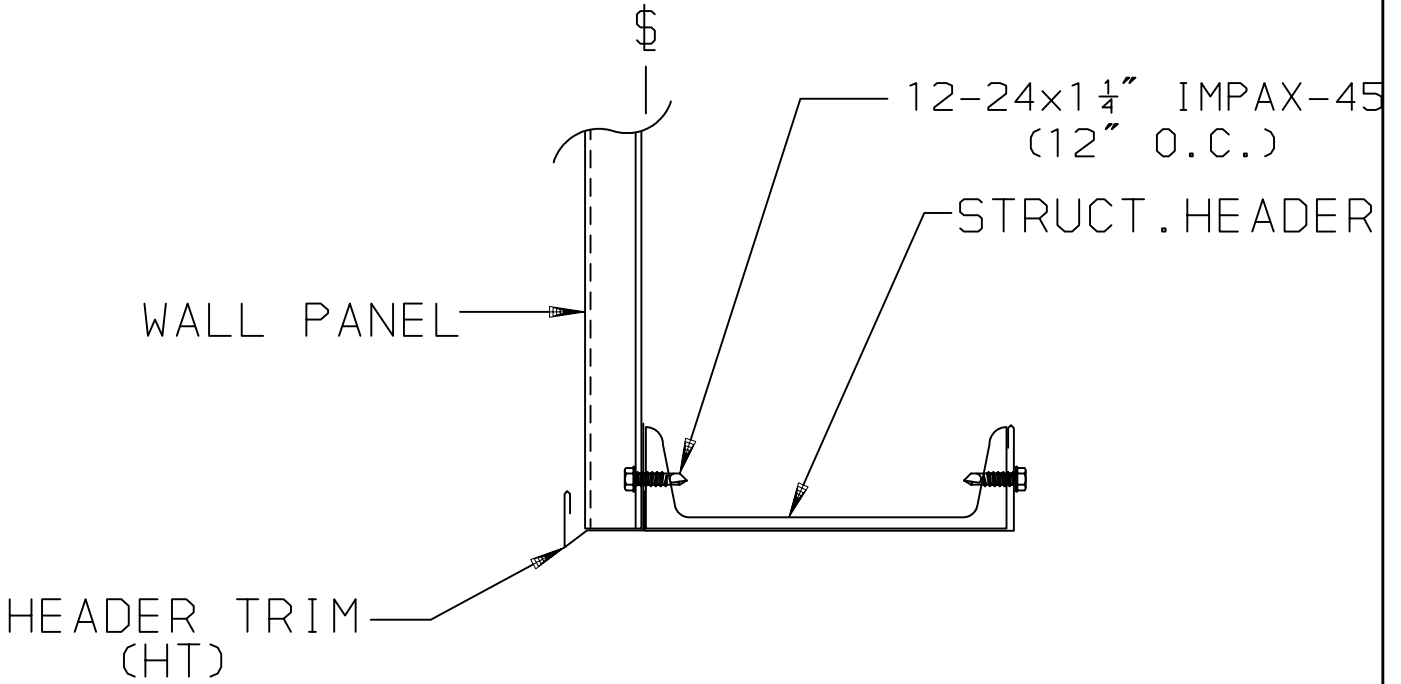
CM-SPL163

COMPUTER SERVICES NUMBER: CED\_CM-SPL163

THIS DETAIL IS NOT FOR CONSTRUCTION

SECTION: 9

NOTE: DUE TO KIRBY BUILDING SYSTEMS CONTINUING PROGRAM OF PRODUCT IMPROVEMENT, OUR CURRENT CUSTOM ERECTION DRAWINGS ARE BEING UPDATED. IF THERE IS A DISCREPANCY BETWEEN THIS DETAIL AND YOUR ERECTION DRAWINGS, THE ERECTION DRAWINGS GOVERN. ANY REFERENCES TO THIS DETAIL ARE SUBJECT TO CHANGE WITHOUT NOTICE.



CM-SPL164

STRUCTURAL CEE AS HEADER

ISSUE DATE: 3-17-06

REV.:

REV.:

REV.:

REV.:



BUILDING SYSTEMS  
124 KIRBY DRIVE, PORTLAND, TN 37148  
A DIVISION OF ASSOCIATED BUILDING SYSTEMS, INC.

CM-SPL164

COMPUTER SERVICES NUMBER: CED\_CM-SPL164