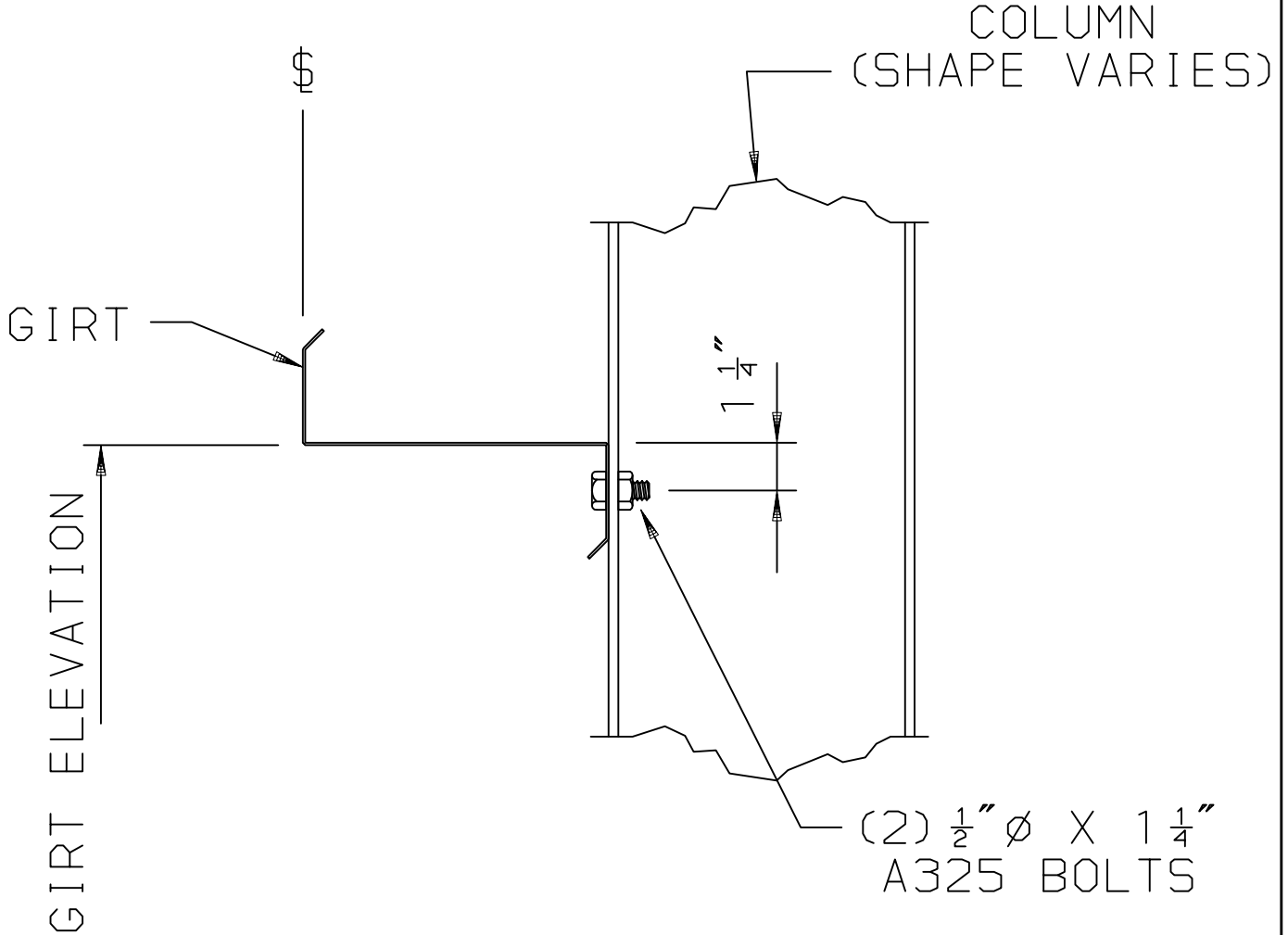


THIS DETAIL IS NOT FOR CONSTRUCTION

SECTION: 6

NOTE: DUE TO KIRBY BUILDING SYSTEMS CONTINUING PROGRAM OF PRODUCT IMPROVEMENT, OUR CURRENT CUSTOM ERECTION DRAWINGS ARE BEING UPDATED. IF THERE IS A DISCREPANCY BETWEEN THIS DETAIL AND YOUR ERECTION DRAWINGS, THE ERECTION DRAWINGS GOVERN. ANY REFERENCES TO THIS DETAIL ARE SUBJECT TO CHANGE WITHOUT NOTICE.



CM-SGT109

STANDARD BY-FRAME GIRT CONNECTION

ISSUE DATE: 3-17-06

REV.:

REV.:

REV.:

REV.:

Kirby 

BUILDING SYSTEMS
124 KIRBY DRIVE, PORTLAND, TN 37148
A DIVISION OF ASSOCIATED BUILDING SYSTEMS, INC.

CM-SGT109

COMPUTER SERVICES NUMBER: CED_CM-SGT109

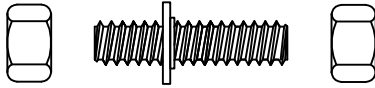
THIS DETAIL IS NOT FOR CONSTRUCTION

SECTION: **6**

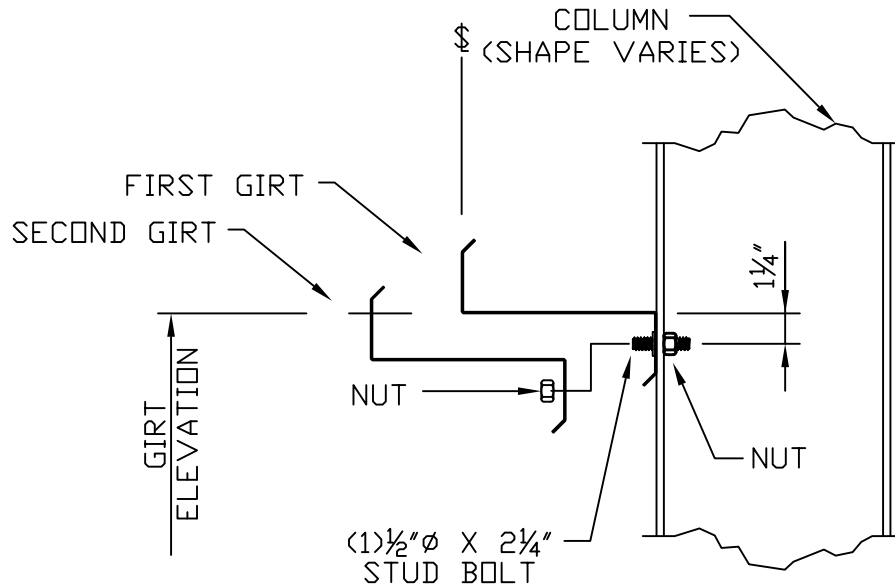
NOTE: DUE TO KIRBY BUILDING SYSTEMS CONTINUING PROGRAM OF PRODUCT IMPROVEMENT, OUR CURRENT CUSTOM ERECTION DRAWINGS ARE BEING UPDATED. IF THERE IS A DISCREPANCY BETWEEN THIS DETAIL AND YOUR ERECTION DRAWINGS, THE ERECTION DRAWINGS GOVERN. ANY REFERENCES TO THIS DETAIL ARE SUBJECT TO CHANGE WITHOUT NOTICE.

NOTE:

THIS DETAIL APPLIES AT ALL GIRT LAP LOCATIONS ON SIDEWALLS AND ENDWALLS WHERE LAPPING OF GIRTS CAUSES A COMMON COLUMN HOLE TO BE USED TO SUPPORT BOTH GIRTS. ONE REQUIRED PER LAP.



STUD BOLT AND NUTS



1. INSTALL FIRST GIRT WITH ONE STUD BOLT AND NUT. TIGHTEN NUT SECURELY.
2. INSTALL SECOND GIRT OVER STUD BOLT AND INSTALL NUT ON STUD BOLT.
3. INSTALL 1/2" Ø X 1 1/4" A325 BOLT THROUGH FRAME & BOTH GIRTS THEN INSTALL NUT (NOT SHOWN).

CM-SGT235

STUD BOLT CONNECTION

ISSUE DATE: 3-17-06

REV.:

REV.:

REV.:

REV.:



124 KIRBY DRIVE, PORTLAND, TN 37148
A DIVISION OF ASSOCIATED BUILDING SYSTEMS, INC.

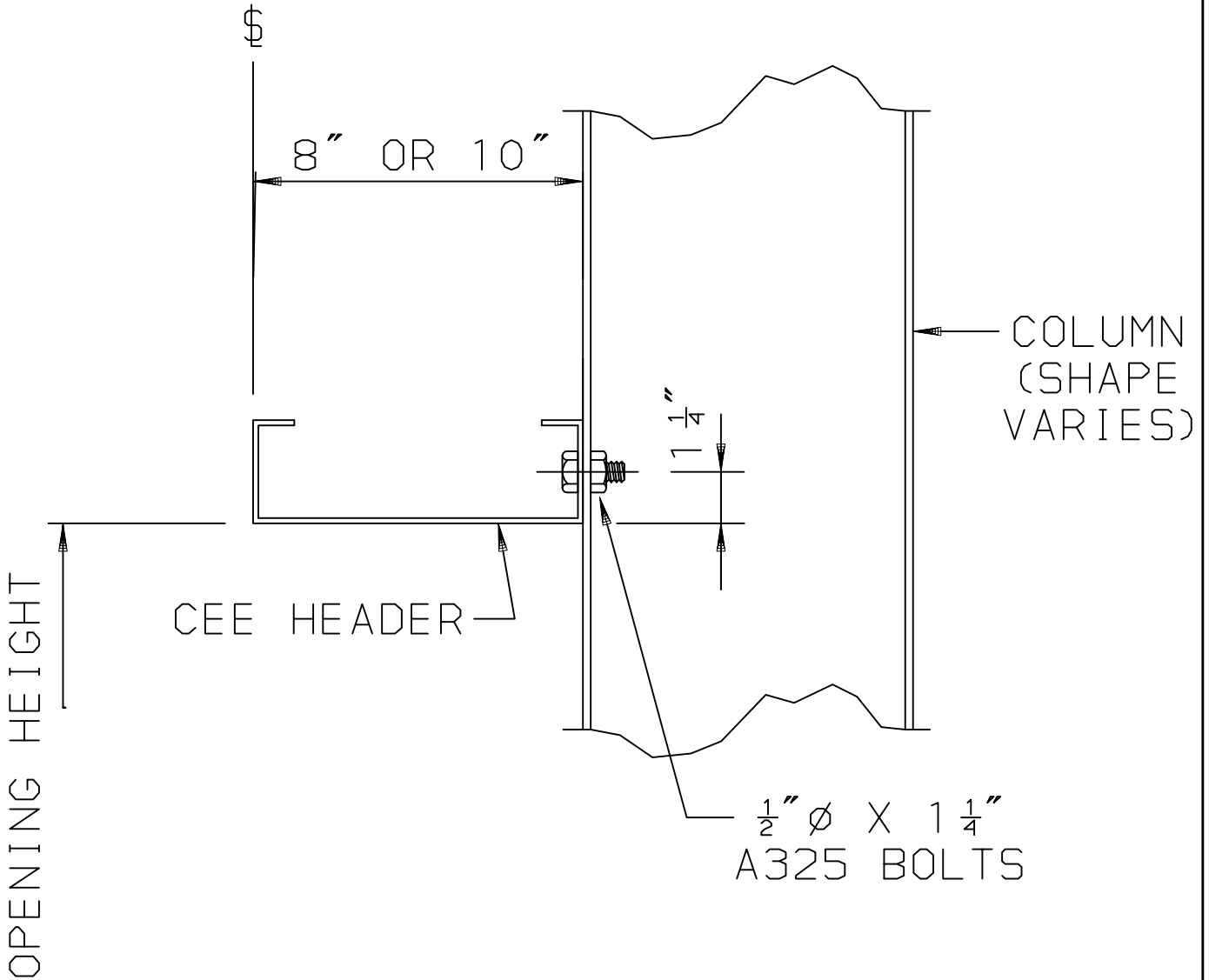
CM-SGT235

COMPUTER SERVICES NUMBER: **CED_CM-SGT235**

THIS DETAIL IS NOT FOR CONSTRUCTION

SECTION: 5

NOTE: DUE TO KIRBY BUILDING SYSTEMS CONTINUING PROGRAM OF PRODUCT IMPROVEMENT, OUR CURRENT CUSTOM ERECTION DRAWINGS ARE BEING UPDATED. IF THERE IS A DISCREPANCY BETWEEN THIS DETAIL AND YOUR ERECTION DRAWINGS, THE ERECTION DRAWINGS GOVERN. ANY REFERENCES TO THIS DETAIL ARE SUBJECT TO CHANGE WITHOUT NOTICE.



CM-SF0148

STANDARD CEE HEADER TO
FRAME CONNECTION (BY-FRAME)

ISSUE DATE: 3-17-06

REV.:

REV.:

REV.:

REV.:

Kirby
BUILDING SYSTEMS

124 KIRBY DRIVE, PORTLAND, TN 37148
A DIVISION OF ASSOCIATED BUILDING SYSTEMS, INC.

CM-SF0148

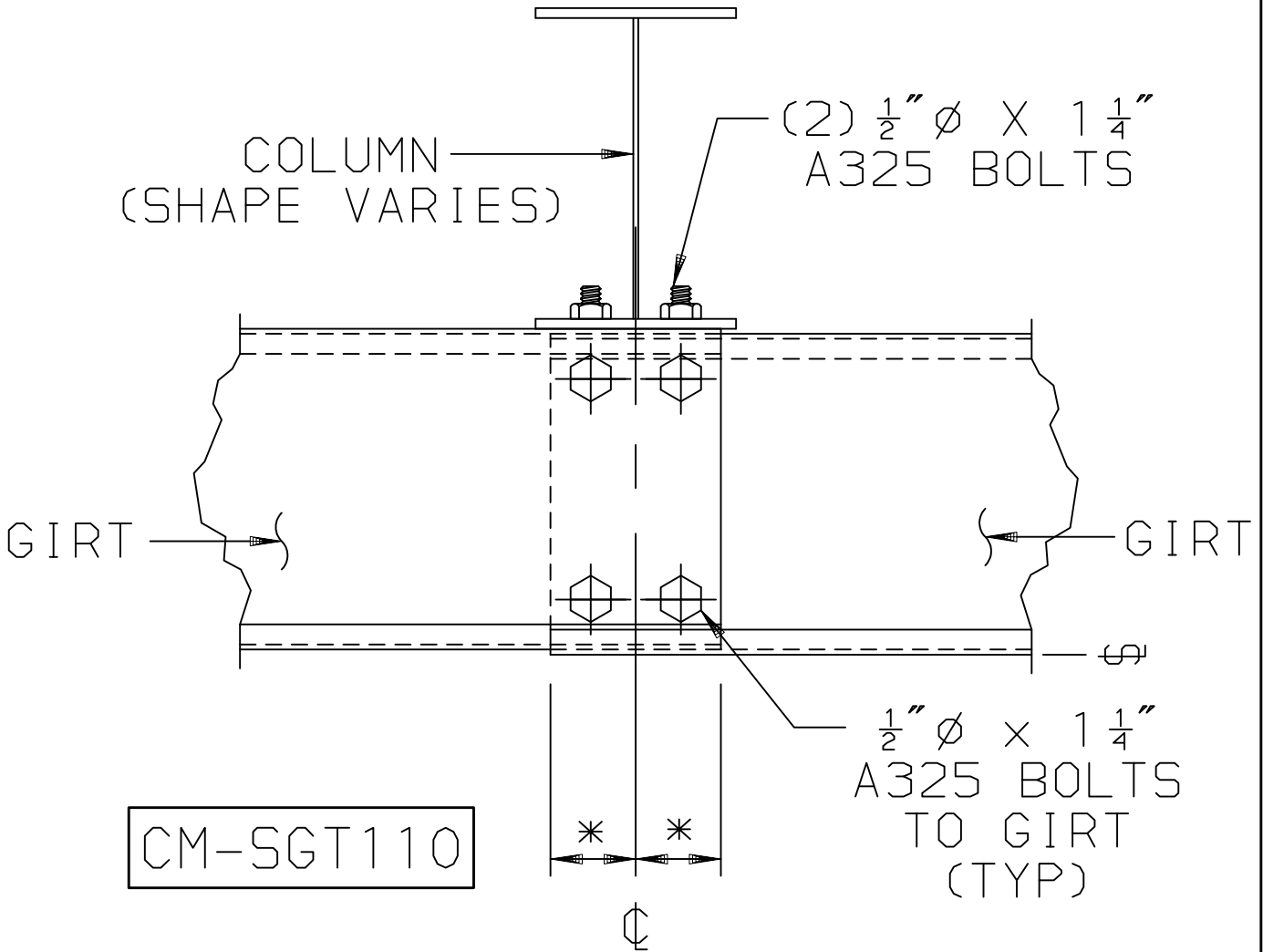
COMPUTER SERVICES NUMBER: CED_CM-SF0148

THIS DETAIL IS NOT FOR CONSTRUCTION

SECTION: 6

NOTE: DUE TO KIRBY BUILDING SYSTEMS CONTINUING PROGRAM OF PRODUCT IMPROVEMENT, OUR CURRENT CUSTOM ERECTION DRAWINGS ARE BEING UPDATED. IF THERE IS A DISCREPANCY BETWEEN THIS DETAIL AND YOUR ERECTION DRAWINGS, THE ERECTION DRAWINGS GOVERN. ANY REFERENCES TO THIS DETAIL ARE SUBJECT TO CHANGE WITHOUT NOTICE.

*-LAP VARIES REFERENCE
APPROPRIATE ERECTION
DWG. FOR LAP
REQUIREMENTS



STANDARD BY-FRAME GIRTS CONNECTION

ISSUE DATE: 3-17-06

REV.:

REV.:

REV.:

REV.:



124 KIRBY DRIVE, PORTLAND, TN 37148
A DIVISION OF ASSOCIATED BUILDING SYSTEMS, INC.

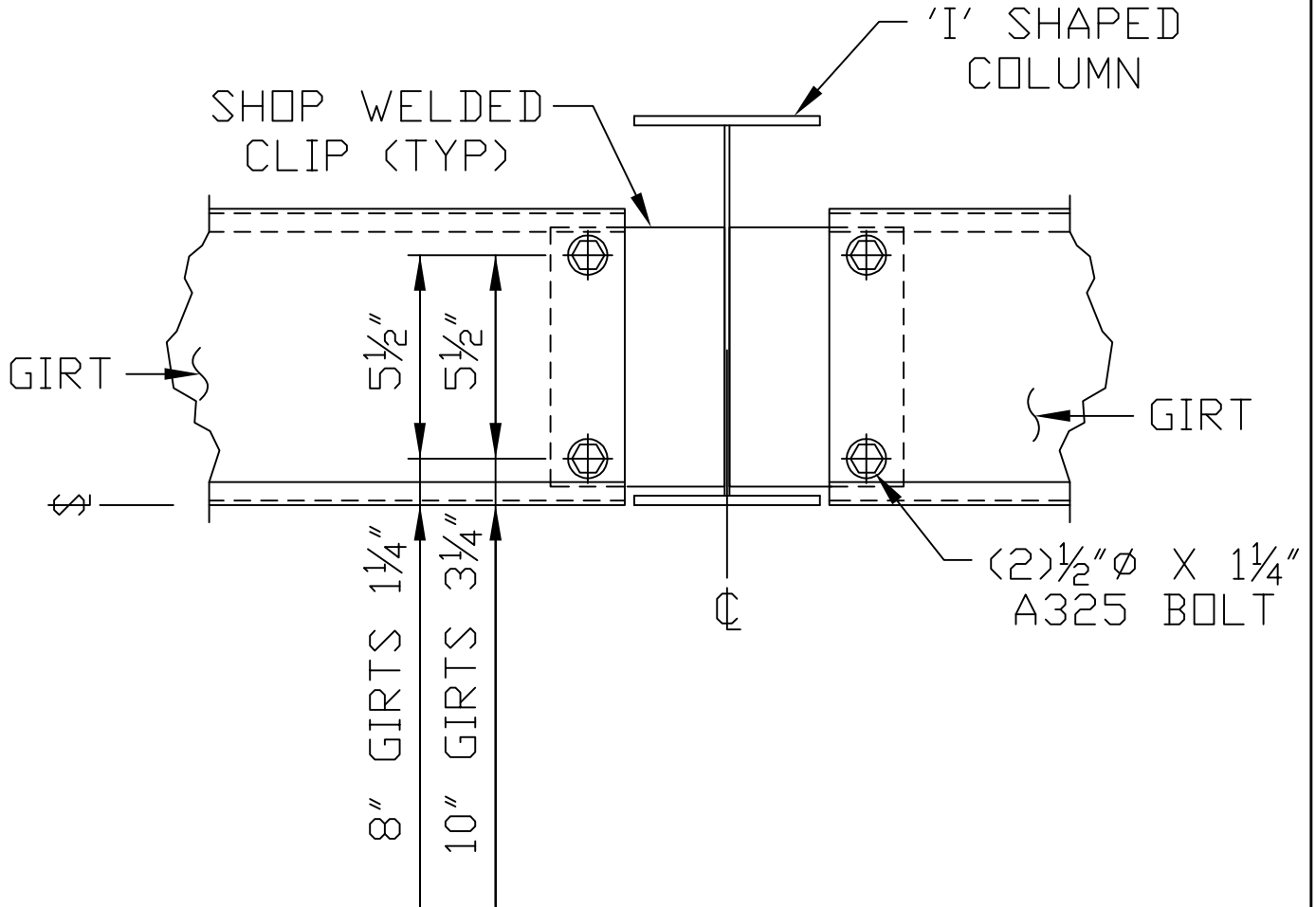
CM-SGT110

COMPUTER SERVICES NUMBER: CED_CM-SGT110

THIS DETAIL IS NOT FOR CONSTRUCTION

SECTION: **6**

NOTE: DUE TO KIRBY BUILDING SYSTEMS CONTINUING PROGRAM OF PRODUCT IMPROVEMENT, OUR CURRENT CUSTOM ERECTION DRAWINGS ARE BEING UPDATED. IF THERE IS A DISCREPANCY BETWEEN THIS DETAIL AND YOUR ERECTION DRAWINGS, THE ERECTION DRAWINGS GOVERN. ANY REFERENCES TO THIS DETAIL ARE SUBJECT TO CHANGE WITHOUT NOTICE.



CM-SGT113

FLUSH GIRT CONNECTION

ISSUE DATE: 3-17-06

REV.:

REV.:

REV.:

REV.:



BUILDING SYSTEMS
124 KIRBY DRIVE, PORTLAND, TN 37148
A DIVISION OF ASSOCIATED BUILDING SYSTEMS, INC.

CM-SGT113

COMPUTER SERVICES NUMBER: **CED_CM-SGT113**

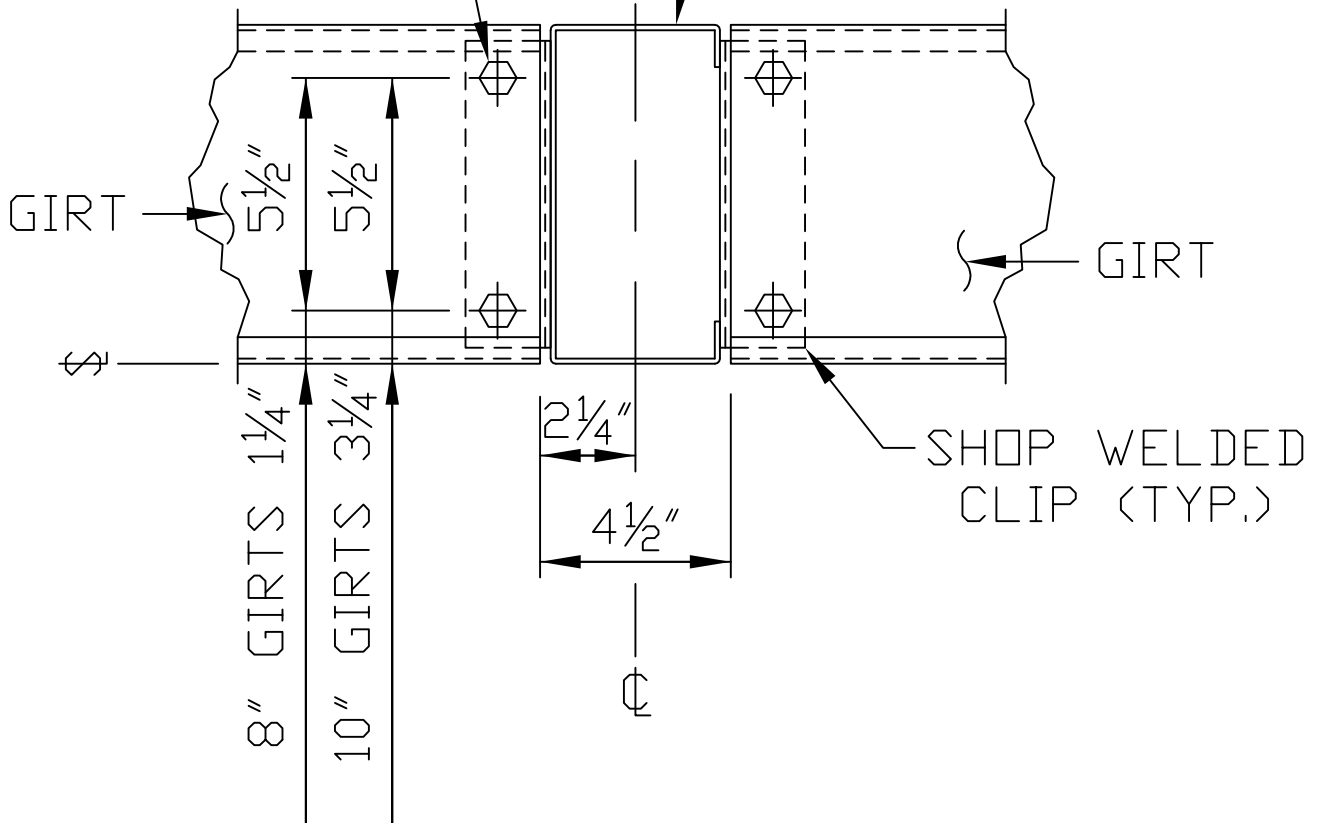
THIS DETAIL IS NOT FOR CONSTRUCTION

SECTION: **6**

NOTE: DUE TO KIRBY BUILDING SYSTEMS CONTINUING PROGRAM OF PRODUCT IMPROVEMENT, OUR CURRENT CUSTOM ERECTION DRAWINGS ARE BEING UPDATED. IF THERE IS A DISCREPANCY BETWEEN THIS DETAIL AND YOUR ERECTION DRAWINGS, THE ERECTION DRAWINGS GOVERN. ANY REFERENCES TO THIS DETAIL ARE SUBJECT TO CHANGE WITHOUT NOTICE.

(2) $\frac{1}{2}$ " ϕ X $\frac{1}{4}$ "
A325 BOLT

WIND COLUMN
(8" X 4" CEE OR
10" X 4" CEE)



CM-SGT112

**STANDARD ENDWALL GIRT
CONNECTION (FLUSH CONDITION)**

ISSUE DATE: 3-17-06

REV.:

REV.:

REV.:

REV.:

Kirby 
BUILDING SYSTEMS

124 KIRBY DRIVE, PORTLAND, TN 37148
A DIVISION OF ASSOCIATED BUILDING SYSTEMS, INC.

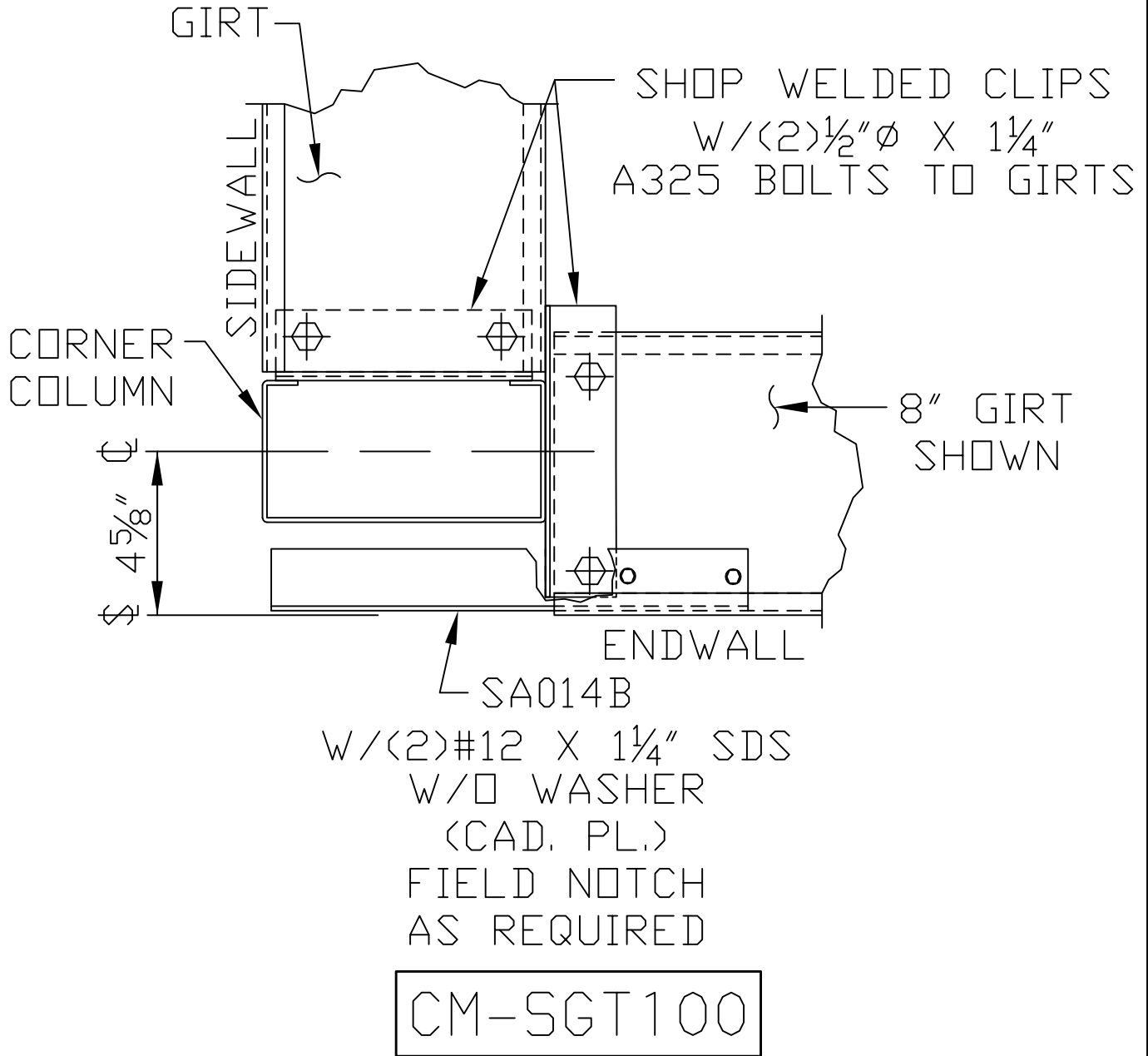
CM-SGT112

COMPUTER SERVICES NUMBER: **CED_CM-SGT112**

THIS DETAIL IS NOT FOR CONSTRUCTION

SECTION: 6

NOTE: DUE TO KIRBY BUILDING SYSTEMS CONTINUING PROGRAM OF PRODUCT IMPROVEMENT, OUR CURRENT CUSTOM ERECTION DRAWINGS ARE BEING UPDATED. IF THERE IS A DISCREPANCY BETWEEN THIS DETAIL AND YOUR ERECTION DRAWINGS, THE ERECTION DRAWINGS GOVERN. ANY REFERENCES TO THIS DETAIL ARE SUBJECT TO CHANGE WITHOUT NOTICE.



GIRT CONNECTION AT CORNER WITH FLUSH GIRTS

ISSUE DATE: 3-17-06

REV.:

REV.:

REV.:

REV.:



BUILDING SYSTEMS
124 KIRBY DRIVE, PORTLAND, TN 37148
A DIVISION OF ASSOCIATED BUILDING SYSTEMS, INC.

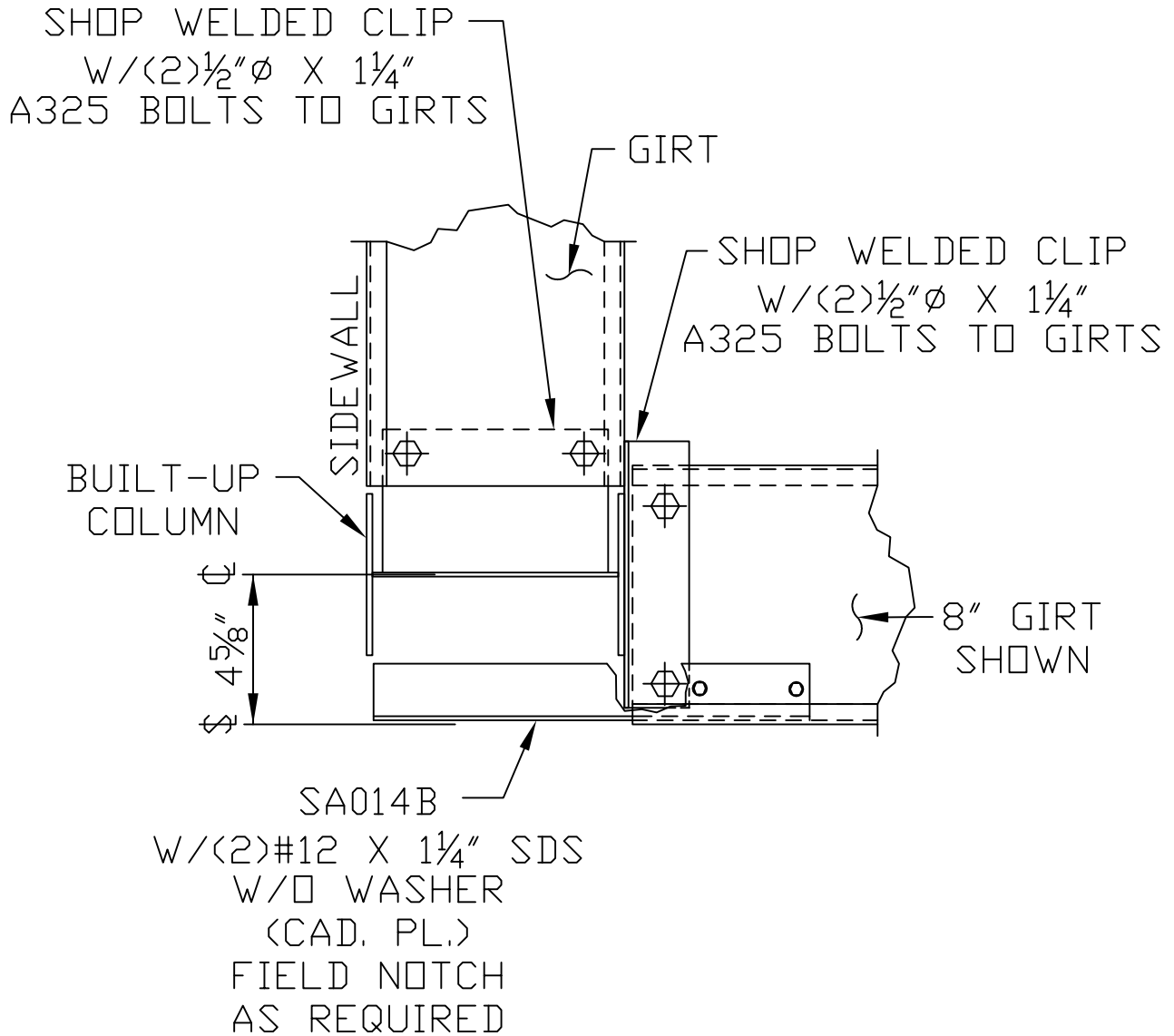
CM-SGT100

COMPUTER SERVICES NUMBER: CED_CM-SGT100

THIS DETAIL IS NOT FOR CONSTRUCTION

SECTION: 6

NOTE: DUE TO KIRBY BUILDING SYSTEMS CONTINUING PROGRAM OF PRODUCT IMPROVEMENT, OUR CURRENT CUSTOM ERECTION DRAWINGS ARE BEING UPDATED. IF THERE IS A DISCREPANCY BETWEEN THIS DETAIL AND YOUR ERECTION DRAWINGS, THE ERECTION DRAWINGS GOVERN. ANY REFERENCES TO THIS DETAIL ARE SUBJECT TO CHANGE WITHOUT NOTICE.



CM-SGT101

GIRT CONNECTION AT CORNER WITH FLUSH GIRTS

ISSUE DATE: 3-17-06

REV.:

REV.:

REV.:

REV.:



BUILDING SYSTEMS
124 KIRBY DRIVE, PORTLAND, TN 37148
A DIVISION OF ASSOCIATED BUILDING SYSTEMS, INC.

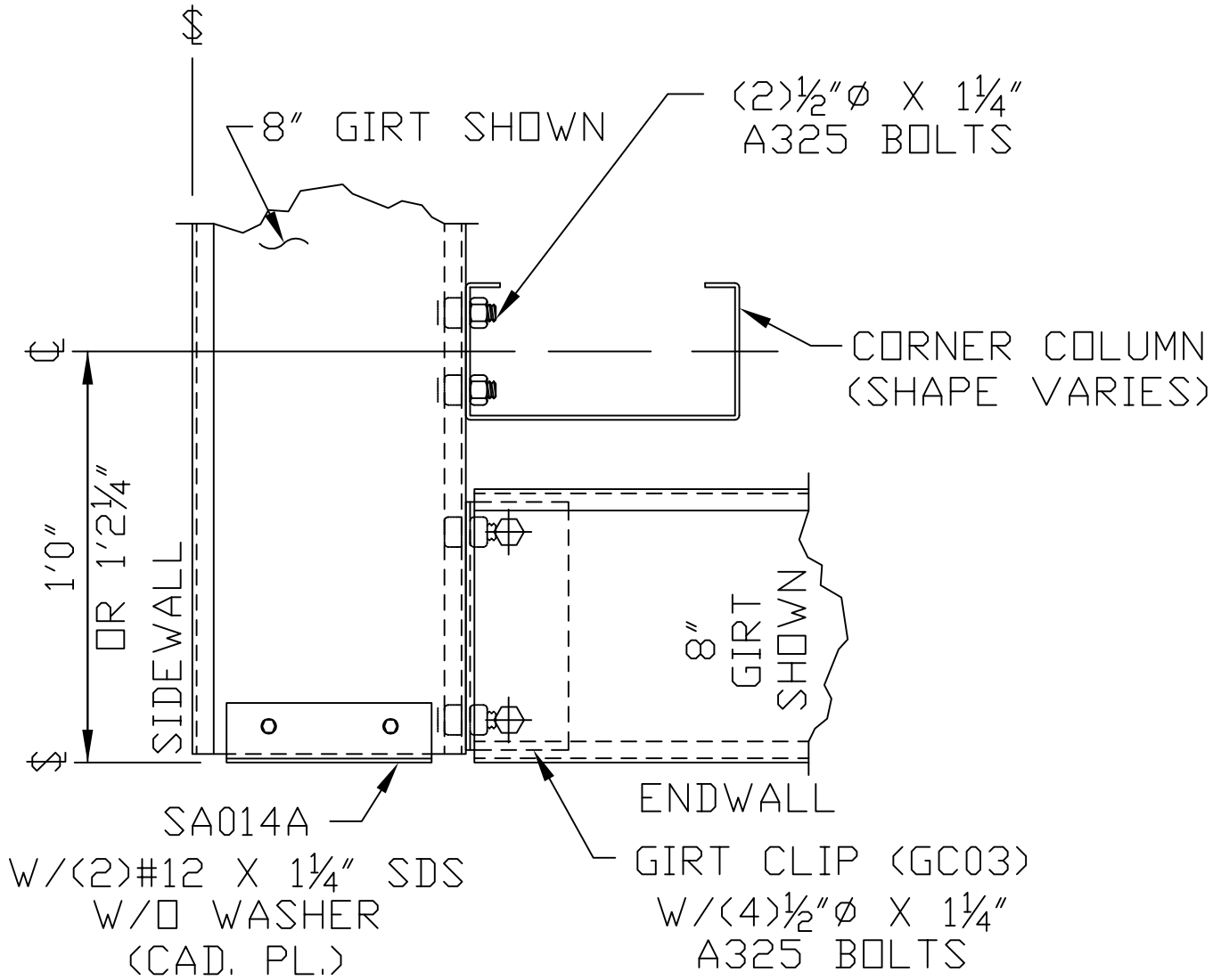
CM-SGT101

COMPUTER SERVICES NUMBER: CED_CM-SGT101

THIS DETAIL IS NOT FOR CONSTRUCTION

SECTION: **6**

NOTE: DUE TO KIRBY BUILDING SYSTEMS CONTINUING PROGRAM OF PRODUCT IMPROVEMENT, OUR CURRENT CUSTOM ERECTION DRAWINGS ARE BEING UPDATED. IF THERE IS A DISCREPANCY BETWEEN THIS DETAIL AND YOUR ERECTION DRAWINGS, THE ERECTION DRAWINGS GOVERN. ANY REFERENCES TO THIS DETAIL ARE SUBJECT TO CHANGE WITHOUT NOTICE.



CM-SGT103

GIRT TRANSITION AT CORNER (BY-FRAME)

ISSUE DATE: 3-17-06

REV.:

REV.:

REV.:

REV.:



BUILDING SYSTEMS
124 KIRBY DRIVE, PORTLAND, TN 37148
A DIVISION OF ASSOCIATED BUILDING SYSTEMS, INC.

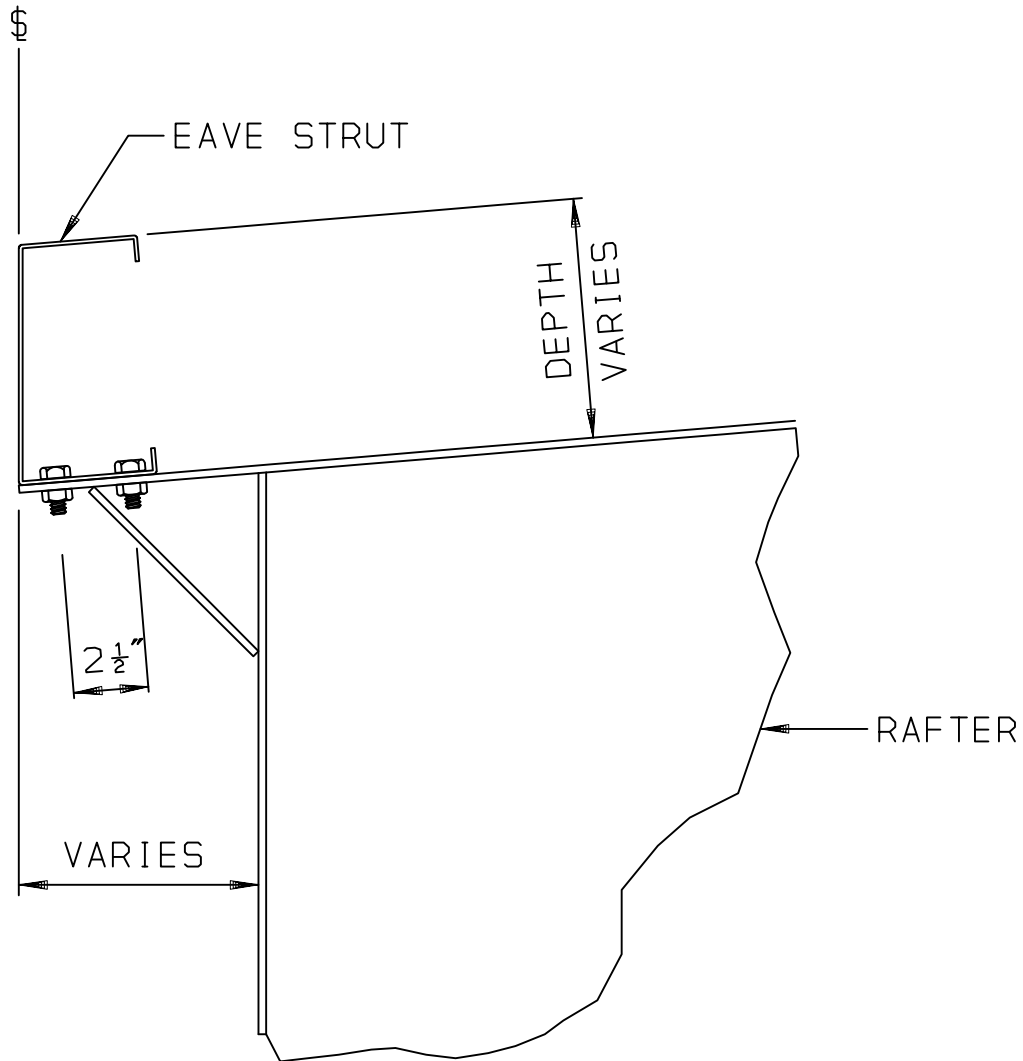
CM-SGT103

COMPUTER SERVICES NUMBER: **CED_CM-SGT103**

THIS DETAIL IS NOT FOR CONSTRUCTION

SECTION: **10**

NOTE: DUE TO KIRBY BUILDING SYSTEMS CONTINUING PROGRAM OF PRODUCT IMPROVEMENT, OUR CURRENT CUSTOM ERECTION DRAWINGS ARE BEING UPDATED. IF THERE IS A DISCREPANCY BETWEEN THIS DETAIL AND YOUR ERECTION DRAWINGS, THE ERECTION DRAWINGS GOVERN. ANY REFERENCES TO THIS DETAIL ARE SUBJECT TO CHANGE WITHOUT NOTICE.



CM-SPR120

EAVE STRUT TO FRAME CONNECTION (BY-FRAME GIRTS)

ISSUE DATE: 3-17-06

REV.:

REV.:

REV.:

REV.:



BUILDING SYSTEMS
124 KIRBY DRIVE, PORTLAND, TN 37148
A DIVISION OF ASSOCIATED BUILDING SYSTEMS, INC.

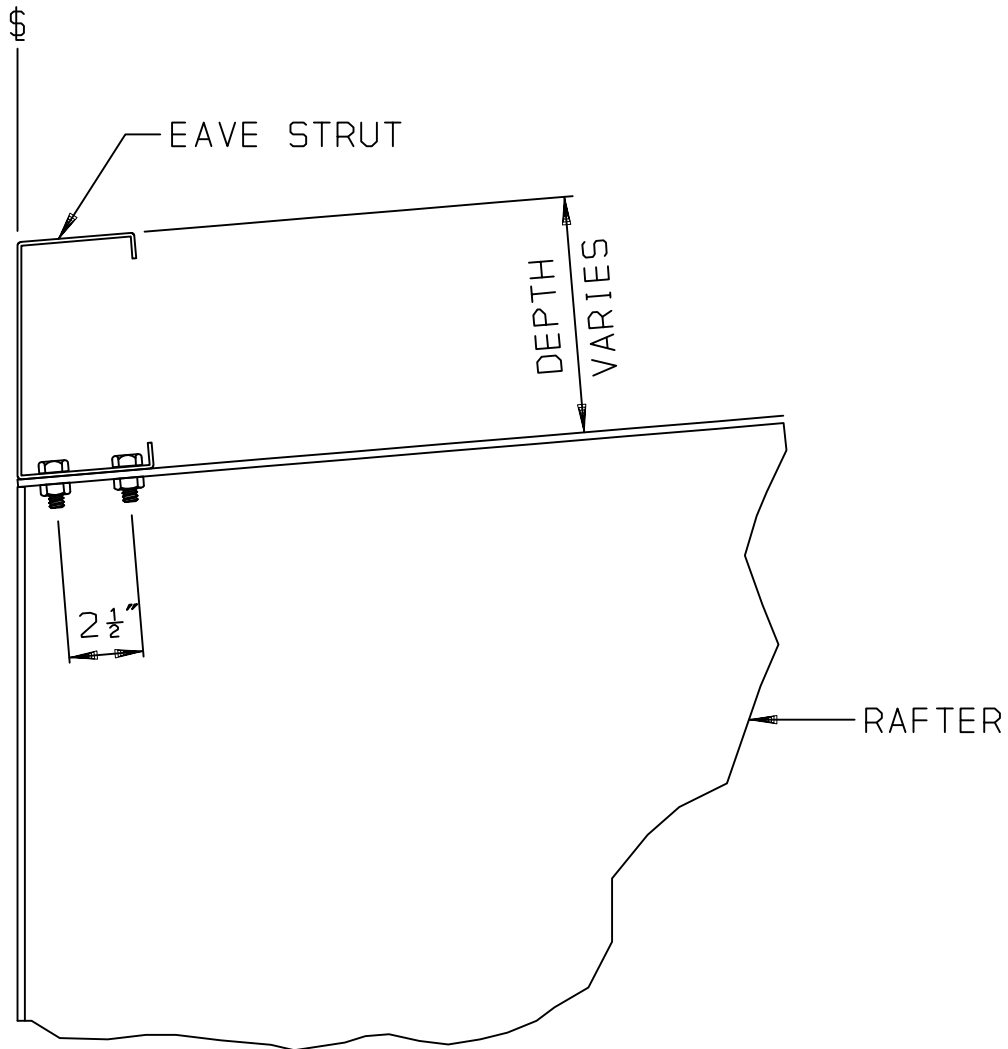
CM-SPR120

COMPUTER SERVICES NUMBER: **CED_CM-SPR120**

THIS DETAIL IS NOT FOR CONSTRUCTION

SECTION: **10**

NOTE: DUE TO KIRBY BUILDING SYSTEMS CONTINUING PROGRAM OF PRODUCT IMPROVEMENT, OUR CURRENT CUSTOM ERECTION DRAWINGS ARE BEING UPDATED. IF THERE IS A DISCREPANCY BETWEEN THIS DETAIL AND YOUR ERECTION DRAWINGS, THE ERECTION DRAWINGS GOVERN. ANY REFERENCES TO THIS DETAIL ARE SUBJECT TO CHANGE WITHOUT NOTICE.



CM-SPR121

**EAVE STRUT TO FRAME CONNECTION
(FLUSH-FRAMED GIRTS)**

ISSUE DATE: 3-17-06

REV.:

REV.:

REV.:

REV.:

Kirby 
BUILDING SYSTEMS

124 KIRBY DRIVE, PORTLAND, TN 37148
A DIVISION OF ASSOCIATED BUILDING SYSTEMS, INC.

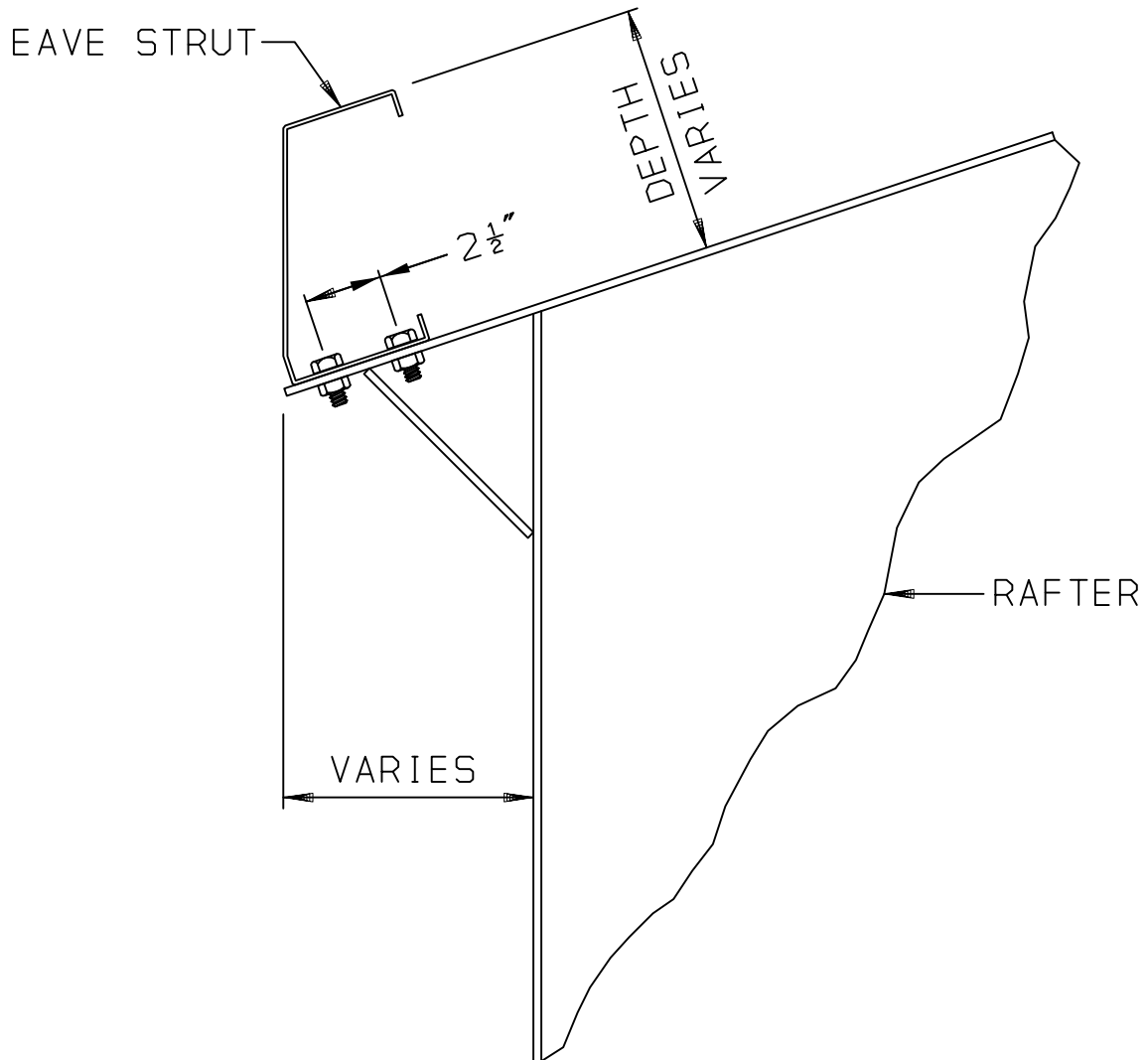
CM-SPR121

COMPUTER SERVICES NUMBER: **CED_CM-SPR121**

THIS DETAIL IS NOT FOR CONSTRUCTION

SECTION: **10**

NOTE: DUE TO KIRBY BUILDING SYSTEMS CONTINUING PROGRAM OF PRODUCT IMPROVEMENT, OUR CURRENT CUSTOM ERECTION DRAWINGS ARE BEING UPDATED. IF THERE IS A DISCREPANCY BETWEEN THIS DETAIL AND YOUR ERECTION DRAWINGS, THE ERECTION DRAWINGS GOVERN. ANY REFERENCES TO THIS DETAIL ARE SUBJECT TO CHANGE WITHOUT NOTICE.



CM-SPR122

**EAVE STRUT TO FRAME CONNECTION
(BY-FRAMED GIRTS)
GREATER THAN 2:12 ROOF SLOPE**

ISSUE DATE: 3-17-06

REV.:

REV.:

REV.:

REV.:

Kirby 
BUILDING SYSTEMS

124 KIRBY DRIVE, PORTLAND, TN 37148
A DIVISION OF ASSOCIATED BUILDING SYSTEMS, INC.

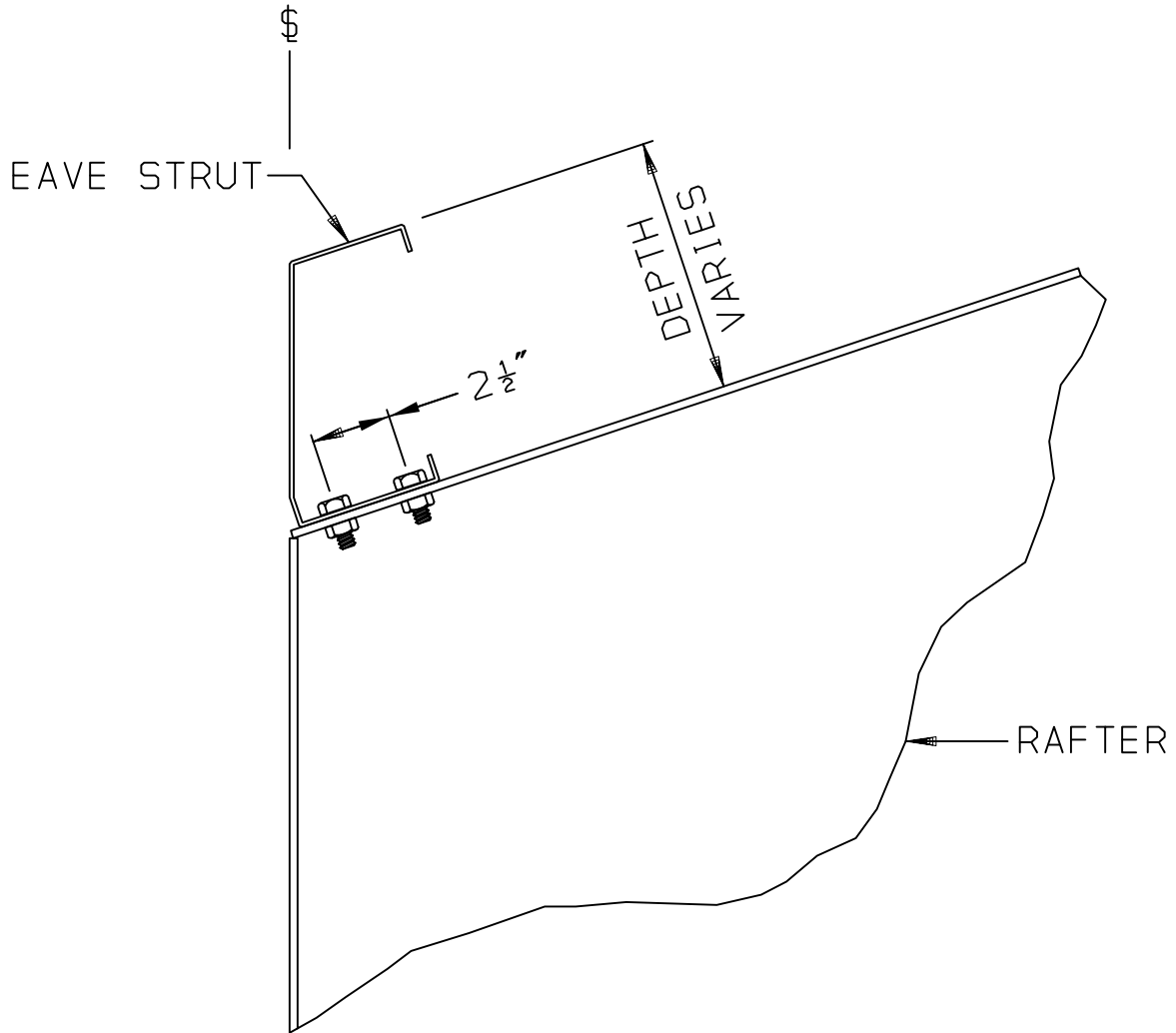
CM-SPR122

COMPUTER SERVICES NUMBER: **CED_CM-SPR122**

THIS DETAIL IS NOT FOR CONSTRUCTION

SECTION: **10**

NOTE: DUE TO KIRBY BUILDING SYSTEMS CONTINUING PROGRAM OF PRODUCT IMPROVEMENT, OUR CURRENT CUSTOM ERECTION DRAWINGS ARE BEING UPDATED. IF THERE IS A DISCREPANCY BETWEEN THIS DETAIL AND YOUR ERECTION DRAWINGS, THE ERECTION DRAWINGS GOVERN. ANY REFERENCES TO THIS DETAIL ARE SUBJECT TO CHANGE WITHOUT NOTICE.



CM-SPR123

**EAVE STRUT TO FRAME CONNECTION
{FLUSH-FRAMED GIRTS}
GREATER THAN 2:12 ROOF SLOPE**

ISSUE DATE: 3-17-06

REV.:

REV.:

REV.:

REV.:

Kirby 
BUILDING SYSTEMS

124 KIRBY DRIVE, PORTLAND, TN 37148
A DIVISION OF ASSOCIATED BUILDING SYSTEMS, INC.

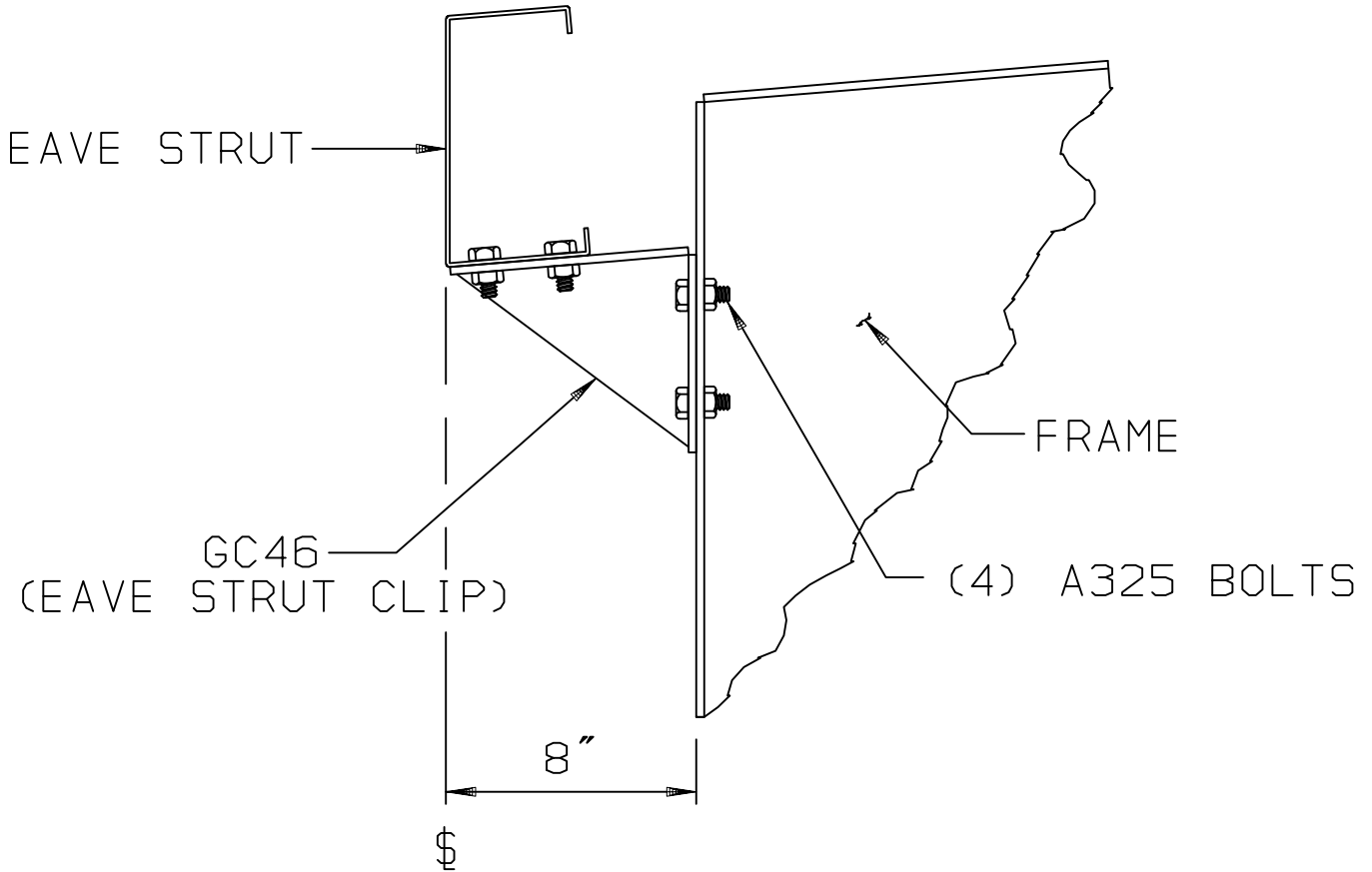
CM-SPR123

COMPUTER SERVICES NUMBER: **CED_CM-SPR123**

THIS DETAIL IS NOT FOR CONSTRUCTION

SECTION: **10**

NOTE: DUE TO KIRBY BUILDING SYSTEMS CONTINUING PROGRAM OF PRODUCT IMPROVEMENT, OUR CURRENT CUSTOM ERECTION DRAWINGS ARE BEING UPDATED. IF THERE IS A DISCREPANCY BETWEEN THIS DETAIL AND YOUR ERECTION DRAWINGS, THE ERECTION DRAWINGS GOVERN. ANY REFERENCES TO THIS DETAIL ARE SUBJECT TO CHANGE WITHOUT NOTICE.



CM-SPR124

EAVE STRUT CONNECTION WITH BAR JOIST ROOF

ISSUE DATE: 3-17-06

REV.:

REV.:

REV.:

REV.:

Kirby 
BUILDING SYSTEMS

124 KIRBY DRIVE, PORTLAND, TN 37148
A DIVISION OF ASSOCIATED BUILDING SYSTEMS, INC.

CM-SPR124

COMPUTER SERVICES NUMBER: **CED_CM-SPR124**