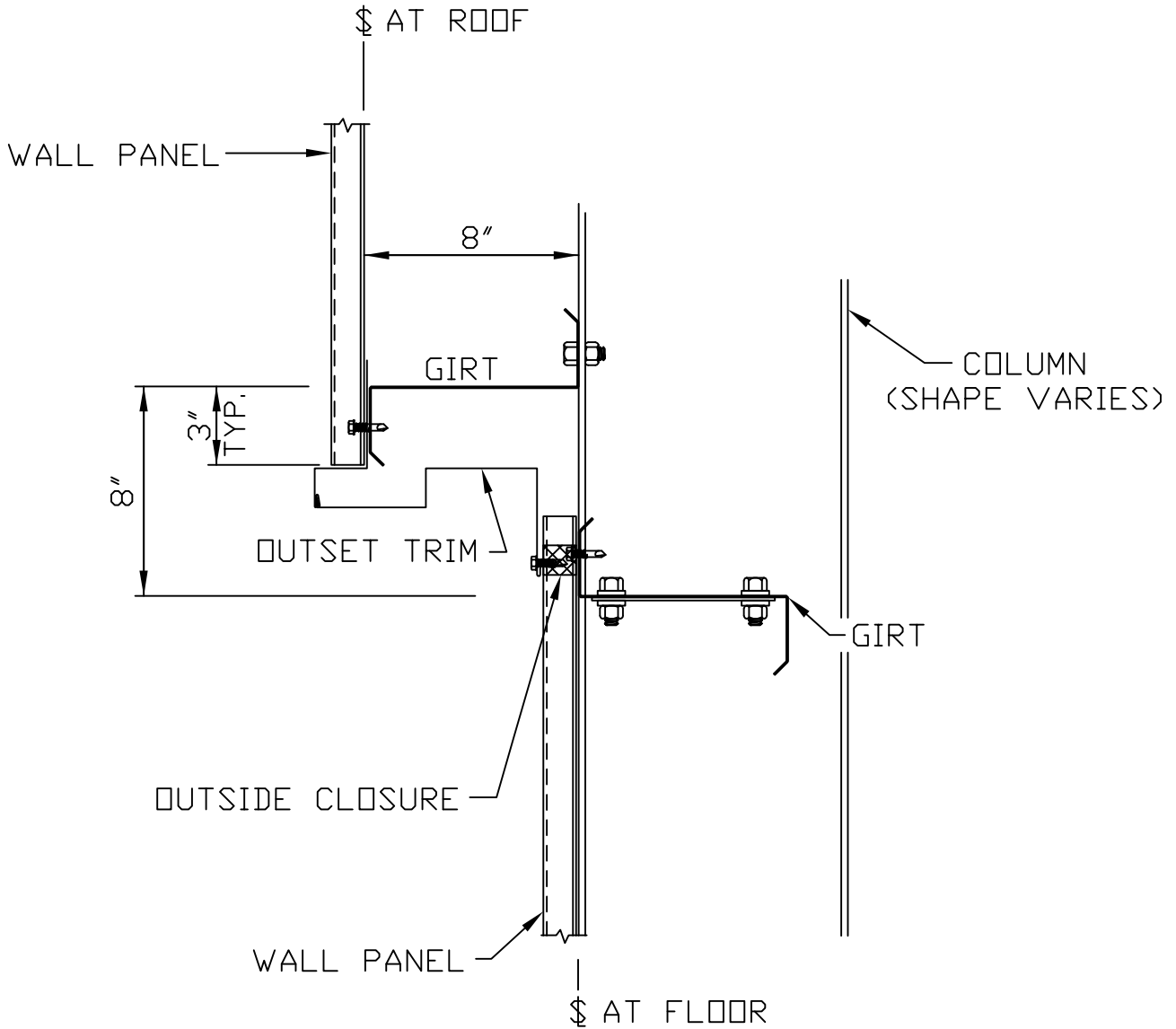


THIS DETAIL IS NOT FOR CONSTRUCTION

SECTION: **17**

NOTE: DUE TO KIRBY BUILDING SYSTEMS CONTINUING PROGRAM OF PRODUCT IMPROVEMENT, OUR CURRENT CUSTOM ERECTION DRAWINGS ARE BEING UPDATED. IF THERE IS A DISCREPANCY BETWEEN THIS DETAIL AND YOUR ERECTION DRAWINGS, THE ERECTION DRAWINGS GOVERN. ANY REFERENCES TO THIS DETAIL ARE SUBJECT TO CHANGE WITHOUT NOTICE.



CM-SNS900

**FLUSH TO BY-FRAME INSET/OUTSET GIRT
CONDITION AT SIDEWALL OR ENDWALL**

ISSUE DATE: 3-17-06

REV.:

REV.:

REV.:

REV.:

Kirby

BUILDING SYSTEMS
124 KIRBY DRIVE, PORTLAND, TN 37148
A DIVISION OF ASSOCIATED BUILDING SYSTEMS, INC.

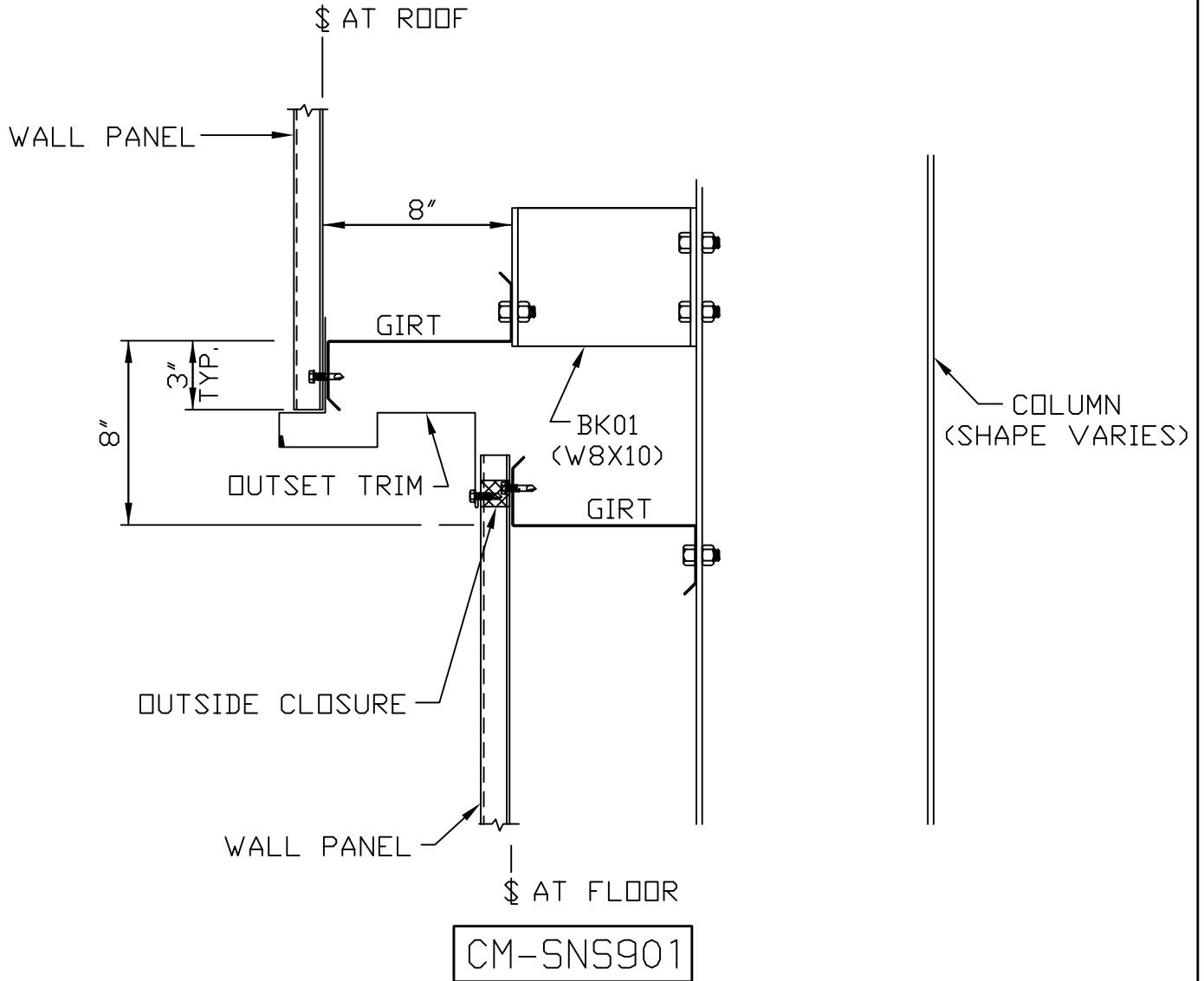
CM-SNS900

COMPUTER SERVICES NUMBER: **CED_CM-SNS900**

THIS DETAIL IS NOT FOR CONSTRUCTION

SECTION: **17**

NOTE: DUE TO KIRBY BUILDING SYSTEMS CONTINUING PROGRAM OF PRODUCT IMPROVEMENT, OUR CURRENT CUSTOM ERECTION DRAWINGS ARE BEING UPDATED. IF THERE IS A DISCREPANCY BETWEEN THIS DETAIL AND YOUR ERECTION DRAWINGS, THE ERECTION DRAWINGS GOVERN. ANY REFERENCES TO THIS DETAIL ARE SUBJECT TO CHANGE WITHOUT NOTICE.



**BY-FRAME TO BY-FRAME INSET/OUTSET GIRT
CONDITION AT SIDEWALL OR ENDWALL**

ISSUE DATE: 3-17-06

REV.:

REV.:

REV.:

REV.:



BUILDING SYSTEMS
124 KIRBY DRIVE, PORTLAND, TN 37148
A DIVISION OF ASSOCIATED BUILDING SYSTEMS, INC.

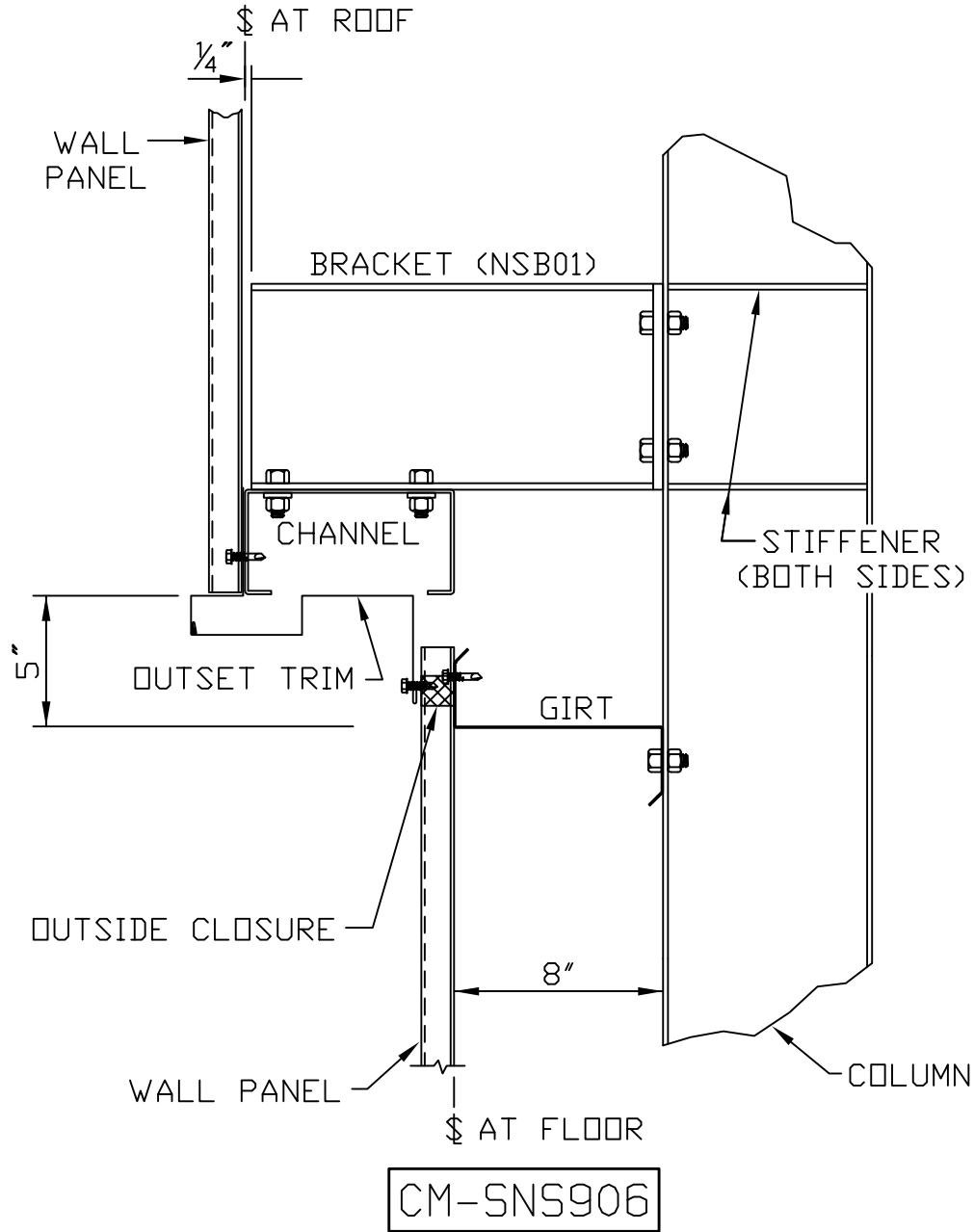
CM-SNS901

COMPUTER SERVICES NUMBER: **CED_CM-SNS901**

THIS DETAIL IS NOT FOR CONSTRUCTION

SECTION: **17**

NOTE: DUE TO KIRBY BUILDING SYSTEMS CONTINUING PROGRAM OF PRODUCT IMPROVEMENT, OUR CURRENT CUSTOM ERECTION DRAWINGS ARE BEING UPDATED. IF THERE IS A DISCREPANCY BETWEEN THIS DETAIL AND YOUR ERECTION DRAWINGS, THE ERECTION DRAWINGS GOVERN. ANY REFERENCES TO THIS DETAIL ARE SUBJECT TO CHANGE WITHOUT NOTICE.



**FLUSH TO BY-FRAME INSET/OUTSET GIRT
CONDITION AT SIDEWALL OR ENDWALL**

ISSUE DATE: 3-17-06

REV.:

REV.:

REV.:

REV.:

Kirby

BUILDING SYSTEMS
124 KIRBY DRIVE, PORTLAND, TN 37148
A DIVISION OF ASSOCIATED BUILDING SYSTEMS, INC.

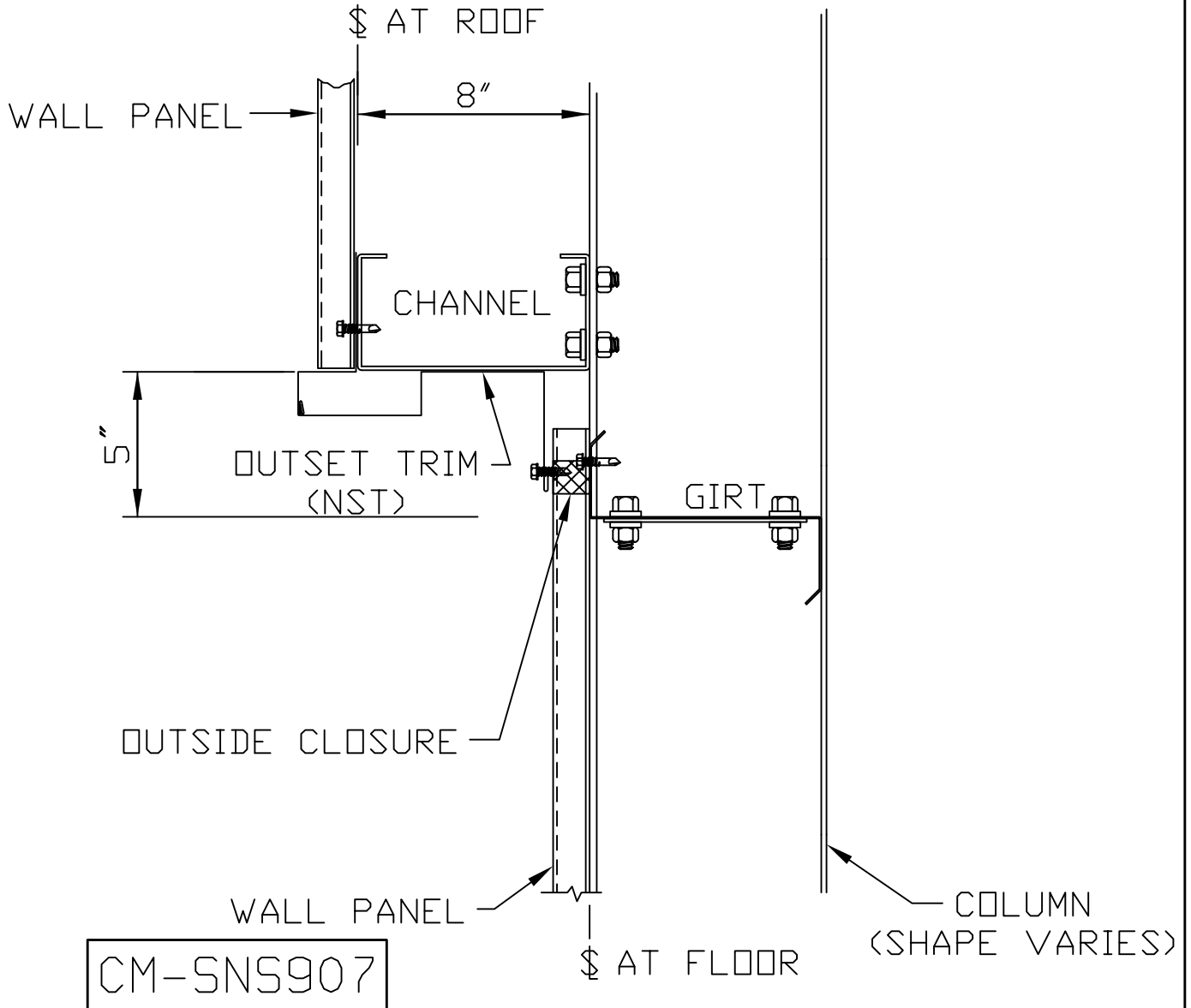
CM-SNS906

COMPUTER SERVICES NUMBER: **CED_CM-SNS906**

THIS DETAIL IS NOT FOR CONSTRUCTION

SECTION: 17

NOTE: DUE TO KIRBY BUILDING SYSTEMS CONTINUING PROGRAM OF PRODUCT IMPROVEMENT, OUR CURRENT CUSTOM ERECTION DRAWINGS ARE BEING UPDATED. IF THERE IS A DISCREPANCY BETWEEN THIS DETAIL AND YOUR ERECTION DRAWINGS, THE ERECTION DRAWINGS GOVERN. ANY REFERENCES TO THIS DETAIL ARE SUBJECT TO CHANGE WITHOUT NOTICE.



FLUSH TO BY-FRAME INSET/OUTSET GIRT
CONDITION AT SIDEWALL OR ENDWALL

ISSUE DATE: 3-17-06

REV.:

REV.:

REV.:

REV.:

Kirby

BUILDING SYSTEMS
124 KIRBY DRIVE, PORTLAND, TN 37148
A DIVISION OF ASSOCIATED BUILDING SYSTEMS, INC.

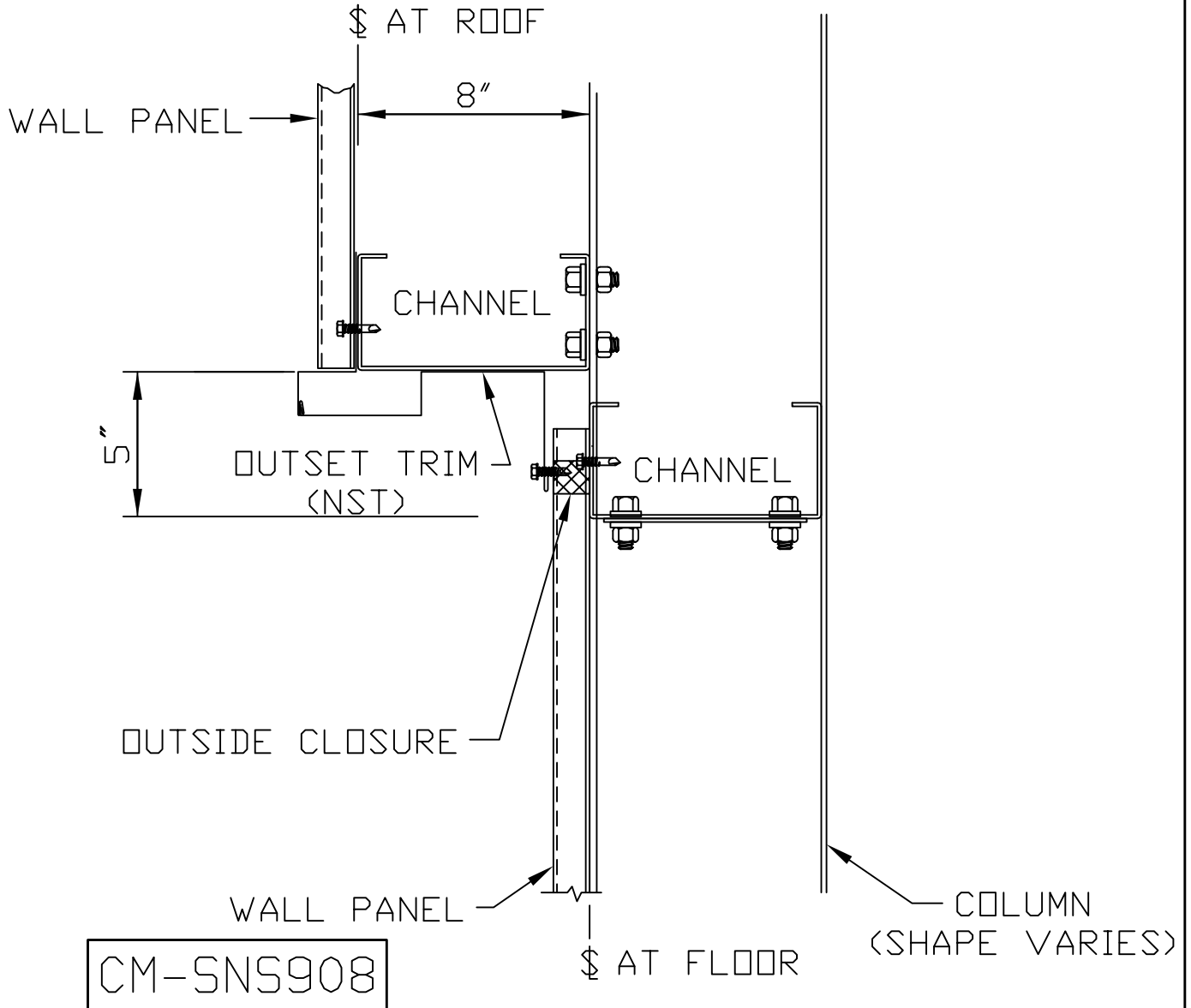
CM-SNS907

COMPUTER SERVICES NUMBER: CED_CM-SNS907

THIS DETAIL IS NOT FOR CONSTRUCTION

SECTION: **17**

NOTE: DUE TO KIRBY BUILDING SYSTEMS CONTINUING PROGRAM OF PRODUCT IMPROVEMENT, OUR CURRENT CUSTOM ERECTION DRAWINGS ARE BEING UPDATED. IF THERE IS A DISCREPANCY BETWEEN THIS DETAIL AND YOUR ERECTION DRAWINGS, THE ERECTION DRAWINGS GOVERN. ANY REFERENCES TO THIS DETAIL ARE SUBJECT TO CHANGE WITHOUT NOTICE.



**FLUSH TO BY-FRAME INSET/OUTSET GIRT
CONDITION AT SIDEWALL OR ENDWALL**

ISSUE DATE: 3-17-06

REV.:

REV.:

REV.:

REV.:

Kirby
BUILDING SYSTEMS

124 KIRBY DRIVE, PORTLAND, TN 37148
A DIVISION OF ASSOCIATED BUILDING SYSTEMS, INC.

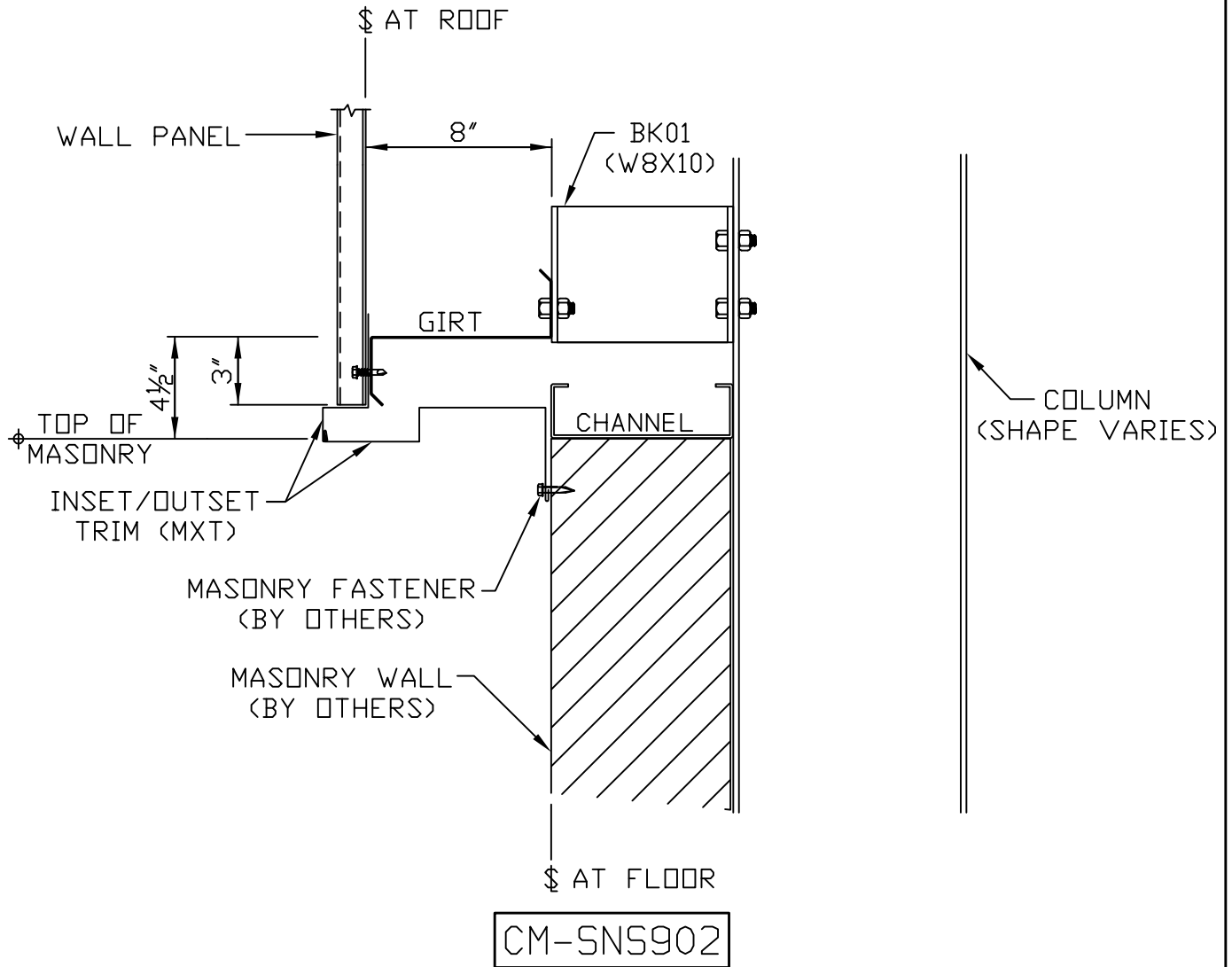
CM-SNS908

COMPUTER SERVICES NUMBER: **CED_CM-SNS908**

THIS DETAIL IS NOT FOR CONSTRUCTION

SECTION: **17**

NOTE: DUE TO KIRBY BUILDING SYSTEMS CONTINUING PROGRAM OF PRODUCT IMPROVEMENT, OUR CURRENT CUSTOM ERECTION DRAWINGS ARE BEING UPDATED. IF THERE IS A DISCREPANCY BETWEEN THIS DETAIL AND YOUR ERECTION DRAWINGS, THE ERECTION DRAWINGS GOVERN. ANY REFERENCES TO THIS DETAIL ARE SUBJECT TO CHANGE WITHOUT NOTICE.



**BY-FRAME TO BY-FRAME INSET/OUTSET GIRT
CONDITION AT SIDEWALL OR ENDWALL W/MASONRY**

ISSUE DATE: 3-17-06

REV.:

REV.:

REV.:

REV.:

Kirby

BUILDING SYSTEMS

124 KIRBY DRIVE, PORTLAND, TN 37148

A DIVISION OF ASSOCIATED BUILDING SYSTEMS, INC.

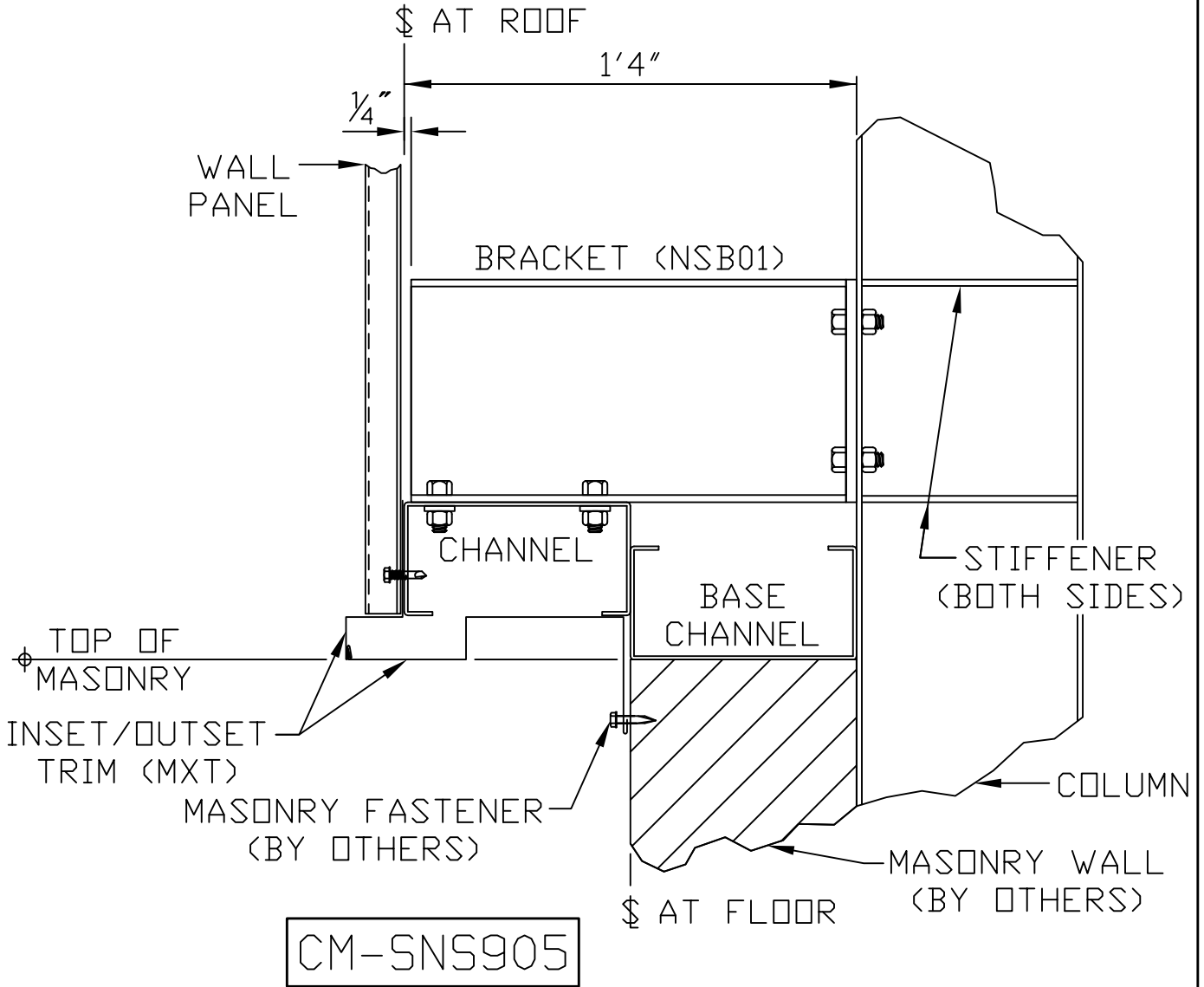
CM-SNS902

COMPUTER SERVICES NUMBER: **CED_CM-SNS902**

THIS DETAIL IS NOT FOR CONSTRUCTION

SECTION: **17**

NOTE: DUE TO KIRBY BUILDING SYSTEMS CONTINUING PROGRAM OF PRODUCT IMPROVEMENT, OUR CURRENT CUSTOM ERECTION DRAWINGS ARE BEING UPDATED. IF THERE IS A DISCREPANCY BETWEEN THIS DETAIL AND YOUR ERECTION DRAWINGS, THE ERECTION DRAWINGS GOVERN. ANY REFERENCES TO THIS DETAIL ARE SUBJECT TO CHANGE WITHOUT NOTICE.



**INSET/OUTSET CONDITION ABOVE
MASONRY WALL (BY-FRAMED WALL CONDITION)**

ISSUE DATE: 3-17-06

REV.:

REV.:

REV.:

REV.:



124 KIRBY DRIVE, PORTLAND, TN 37148
A DIVISION OF ASSOCIATED BUILDING SYSTEMS, INC.

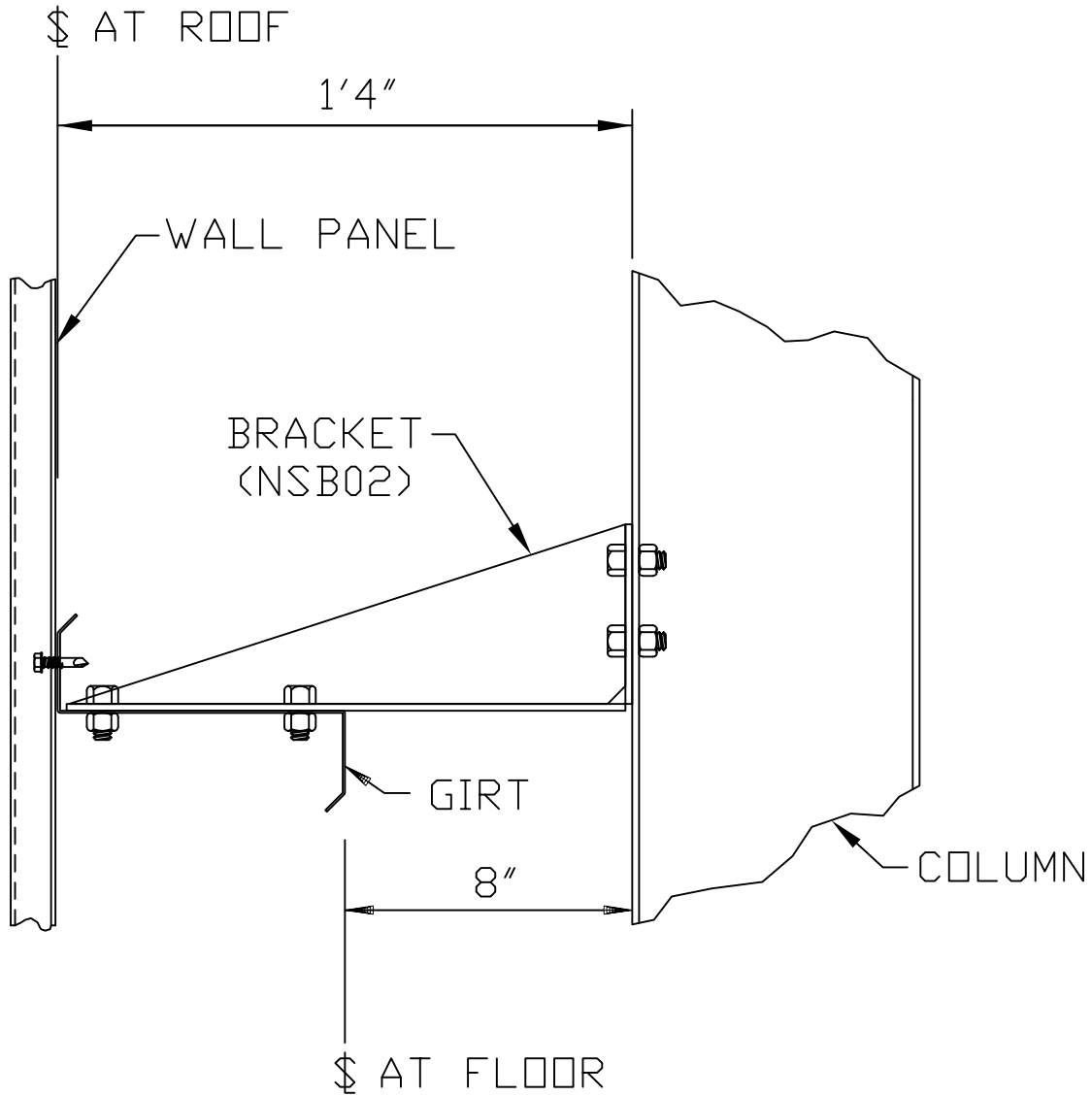
CM-SNS905

COMPUTER SERVICES NUMBER: **CED_CM-SNS905**

THIS DETAIL IS NOT FOR CONSTRUCTION

SECTION: 17

NOTE: DUE TO KIRBY BUILDING SYSTEMS CONTINUING PROGRAM OF PRODUCT IMPROVEMENT, OUR CURRENT CUSTOM ERECTION DRAWINGS ARE BEING UPDATED. IF THERE IS A DISCREPANCY BETWEEN THIS DETAIL AND YOUR ERECTION DRAWINGS, THE ERECTION DRAWINGS GOVERN. ANY REFERENCES TO THIS DETAIL ARE SUBJECT TO CHANGE WITHOUT NOTICE.



CM-SNS911

GIRT ATTACHMENT TO COLUMN AT
BY-FRAME/BY-FRAME INSET/OUTSET

ISSUE DATE: 3-17-06

REV.:

REV.:

REV.:

REV.:



BUILDING SYSTEMS
124 KIRBY DRIVE, PORTLAND, TN 37148
A DIVISION OF ASSOCIATED BUILDING SYSTEMS, INC.

CM-SNS911

COMPUTER SERVICES NUMBER: CED_CM-SNS911