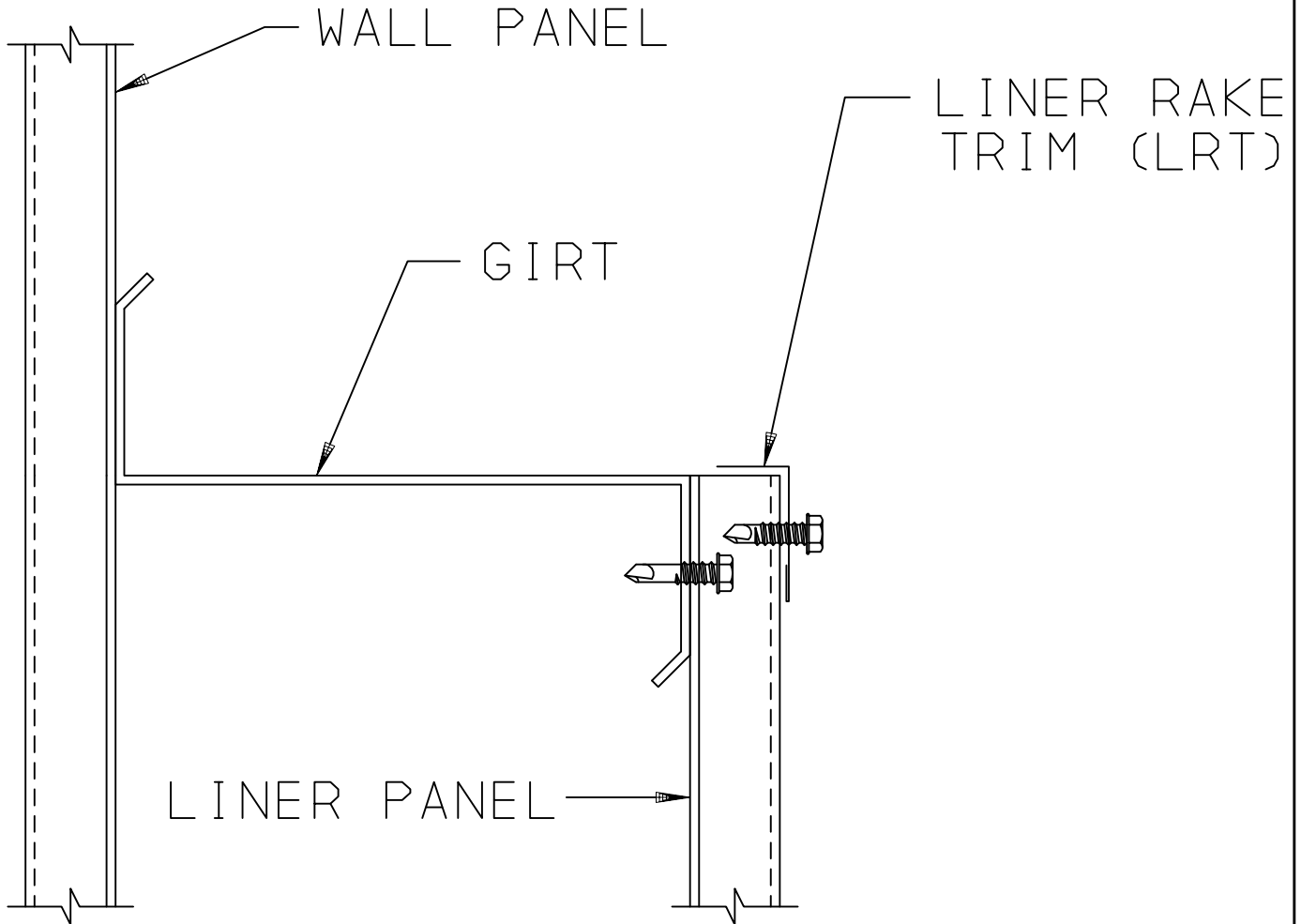


THIS DETAIL IS NOT FOR CONSTRUCTION

SECTION: **7**

**NOTE:** DUE TO KIRBY BUILDING SYSTEMS CONTINUING PROGRAM OF PRODUCT IMPROVEMENT, OUR CURRENT CUSTOM ERECTION DRAWINGS ARE BEING UPDATED. IF THERE IS A DISCREPANCY BETWEEN THIS DETAIL AND YOUR ERECTION DRAWINGS, THE ERECTION DRAWINGS GOVERN. ANY REFERENCES TO THIS DETAIL ARE SUBJECT TO CHANGE WITHOUT NOTICE.



CM-SLP121

**LINER PANEL ENDING AT GIRT**

ISSUE DATE: 3-17-06

REV.:

REV.:

REV.:

REV.:



BUILDING SYSTEMS  
124 KIRBY DRIVE, PORTLAND, TN 37148  
A DIVISION OF ASSOCIATED BUILDING SYSTEMS, INC.

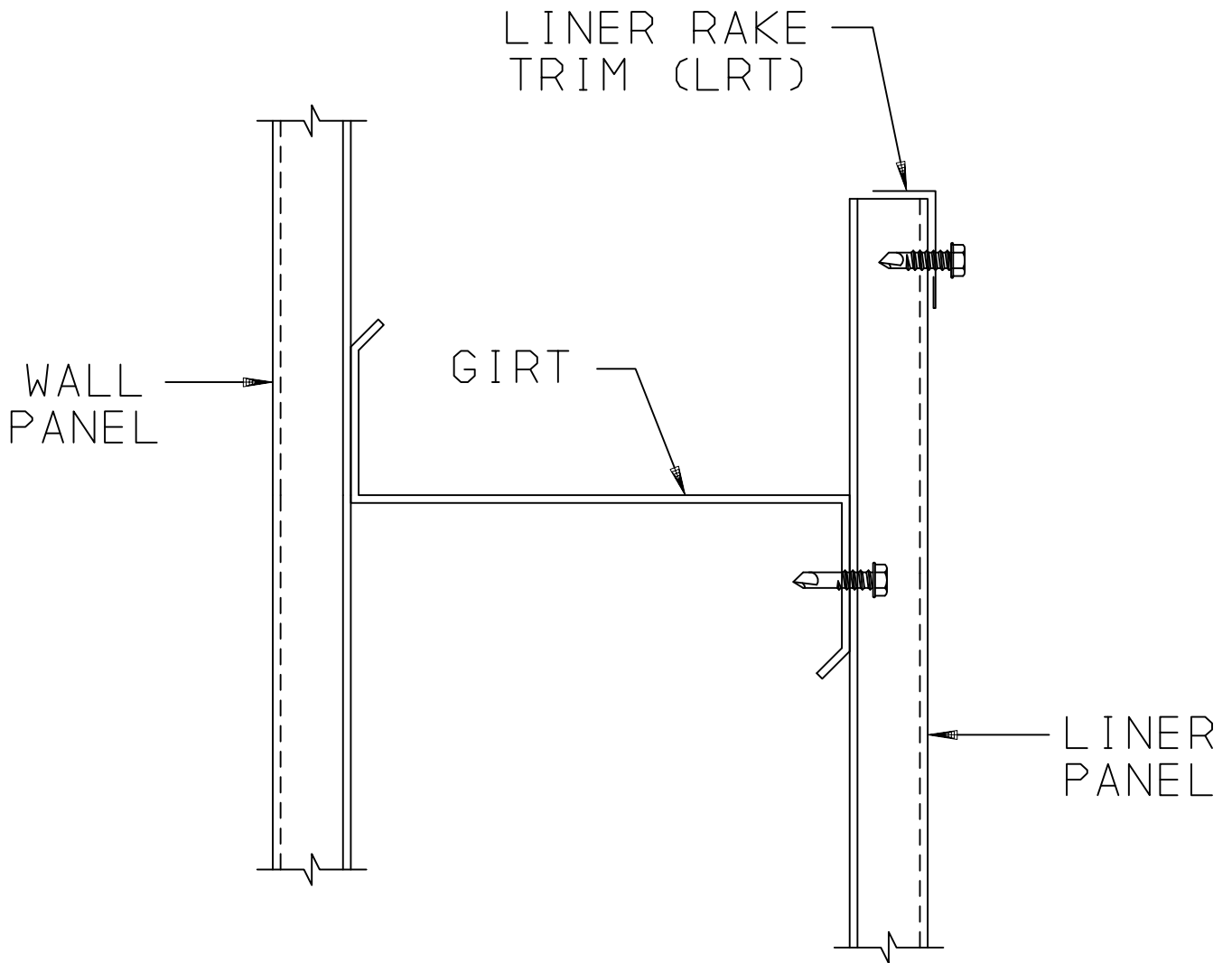
CM-SLP121

COMPUTER SERVICES NUMBER: **CED\_CM-SLP121**

THIS DETAIL IS NOT FOR CONSTRUCTION

SECTION: 7

NOTE: DUE TO KIRBY BUILDING SYSTEMS CONTINUING PROGRAM OF PRODUCT IMPROVEMENT, OUR CURRENT CUSTOM ERECTION DRAWINGS ARE BEING UPDATED. IF THERE IS A DISCREPANCY BETWEEN THIS DETAIL AND YOUR ERECTION DRAWINGS, THE ERECTION DRAWINGS GOVERN. ANY REFERENCES TO THIS DETAIL ARE SUBJECT TO CHANGE WITHOUT NOTICE.



CM-SLP122

LINER PANEL ENDING ABOVE GIRTS

ISSUE DATE: 3-17-06    REV.:    REV.:    REV.:    REV.:

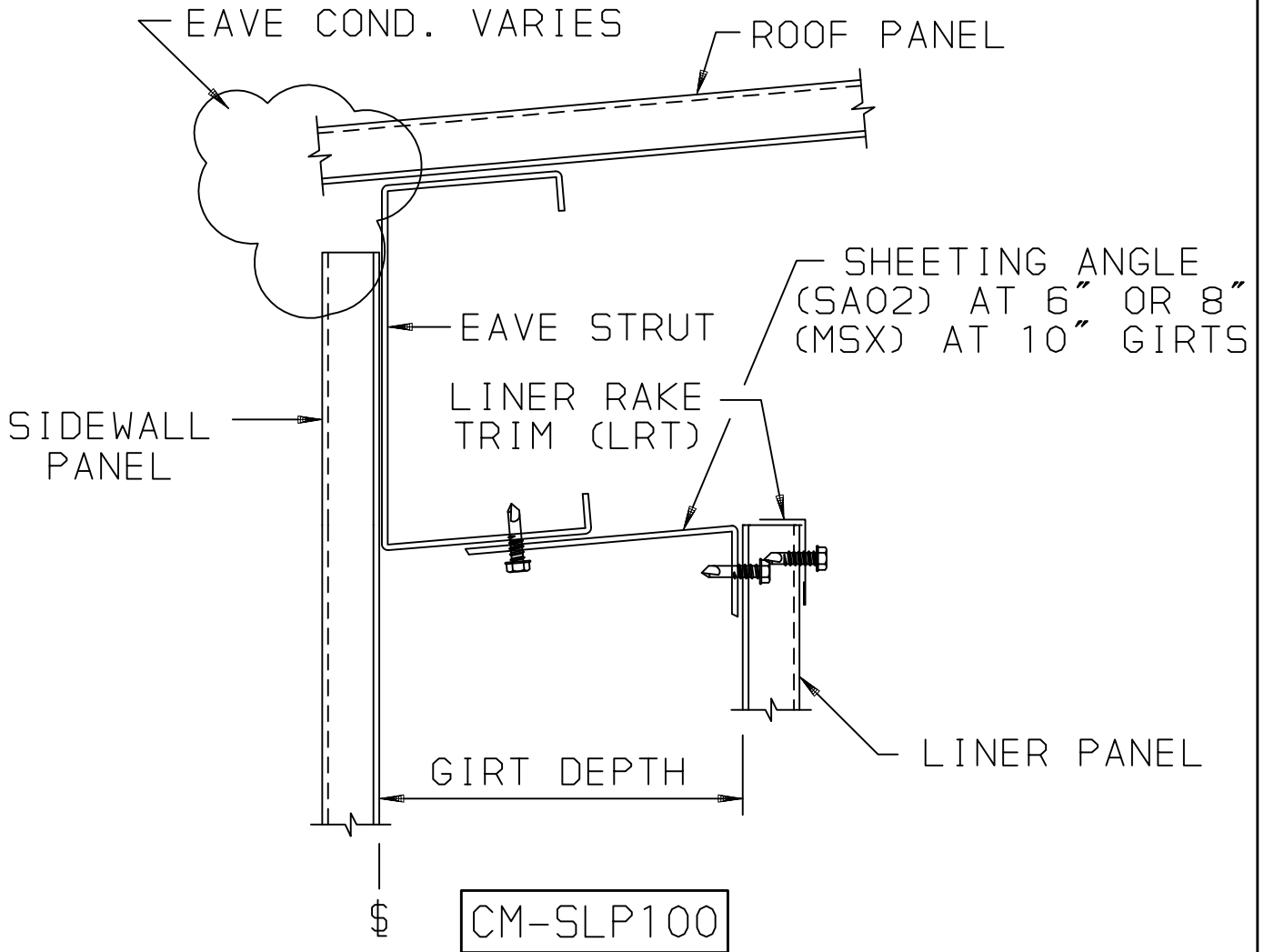
**Kirby**  
BUILDING SYSTEMS  
124 KIRBY DRIVE, PORTLAND, TN 37148  
A DIVISION OF ASSOCIATED BUILDING SYSTEMS, INC.

CM-SLP122  
COMPUTER SERVICES NUMBER: CED\_CM-SLP122

THIS DETAIL IS NOT FOR CONSTRUCTION

SECTION: 7

NOTE: DUE TO KIRBY BUILDING SYSTEMS CONTINUING PROGRAM OF PRODUCT IMPROVEMENT, OUR CURRENT CUSTOM ERECTION DRAWINGS ARE BEING UPDATED. IF THERE IS A DISCREPANCY BETWEEN THIS DETAIL AND YOUR ERECTION DRAWINGS, THE ERECTION DRAWINGS GOVERN. ANY REFERENCES TO THIS DETAIL ARE SUBJECT TO CHANGE WITHOUT NOTICE.



FULL HEIGHT LINER PANEL AT SIDEWALL

ISSUE DATE: 3-17-06

REV.:

REV.:

REV.:

REV.:



BUILDING SYSTEMS  
124 KIRBY DRIVE, PORTLAND, TN 37148  
A DIVISION OF ASSOCIATED BUILDING SYSTEMS, INC.

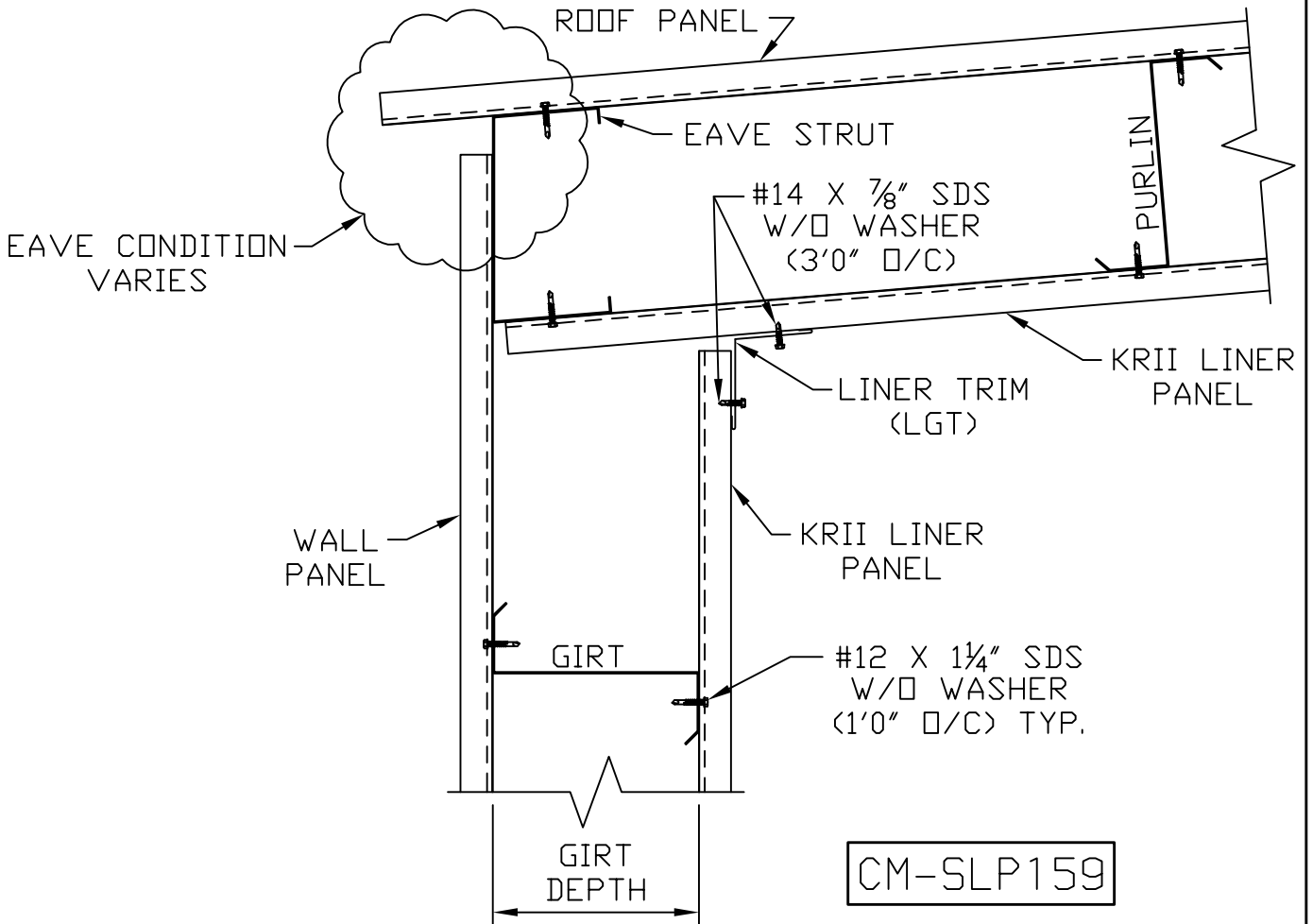
CM-SLP100

COMPUTER SERVICES NUMBER: CED\_CM-SLP100

THIS DETAIL IS NOT FOR CONSTRUCTION

SECTION: 7

NOTE: DUE TO KIRBY BUILDING SYSTEMS CONTINUING PROGRAM OF PRODUCT IMPROVEMENT, OUR CURRENT CUSTOM ERECTION DRAWINGS ARE BEING UPDATED. IF THERE IS A DISCREPANCY BETWEEN THIS DETAIL AND YOUR ERECTION DRAWINGS, THE ERECTION DRAWINGS GOVERN. ANY REFERENCES TO THIS DETAIL ARE SUBJECT TO CHANGE WITHOUT NOTICE.



LINER PANEL AT SIDEWALL  
(WITH 6", 8", 9 1/2", OR 10" GIRTS)  
& ROOF LINER

ISSUE DATE: 3-17-06

REV.:

REV.:

REV.:

REV.:

**Kirby**

BUILDING SYSTEMS  
124 KIRBY DRIVE, PORTLAND, TN 37148  
A DIVISION OF ASSOCIATED BUILDING SYSTEMS, INC.

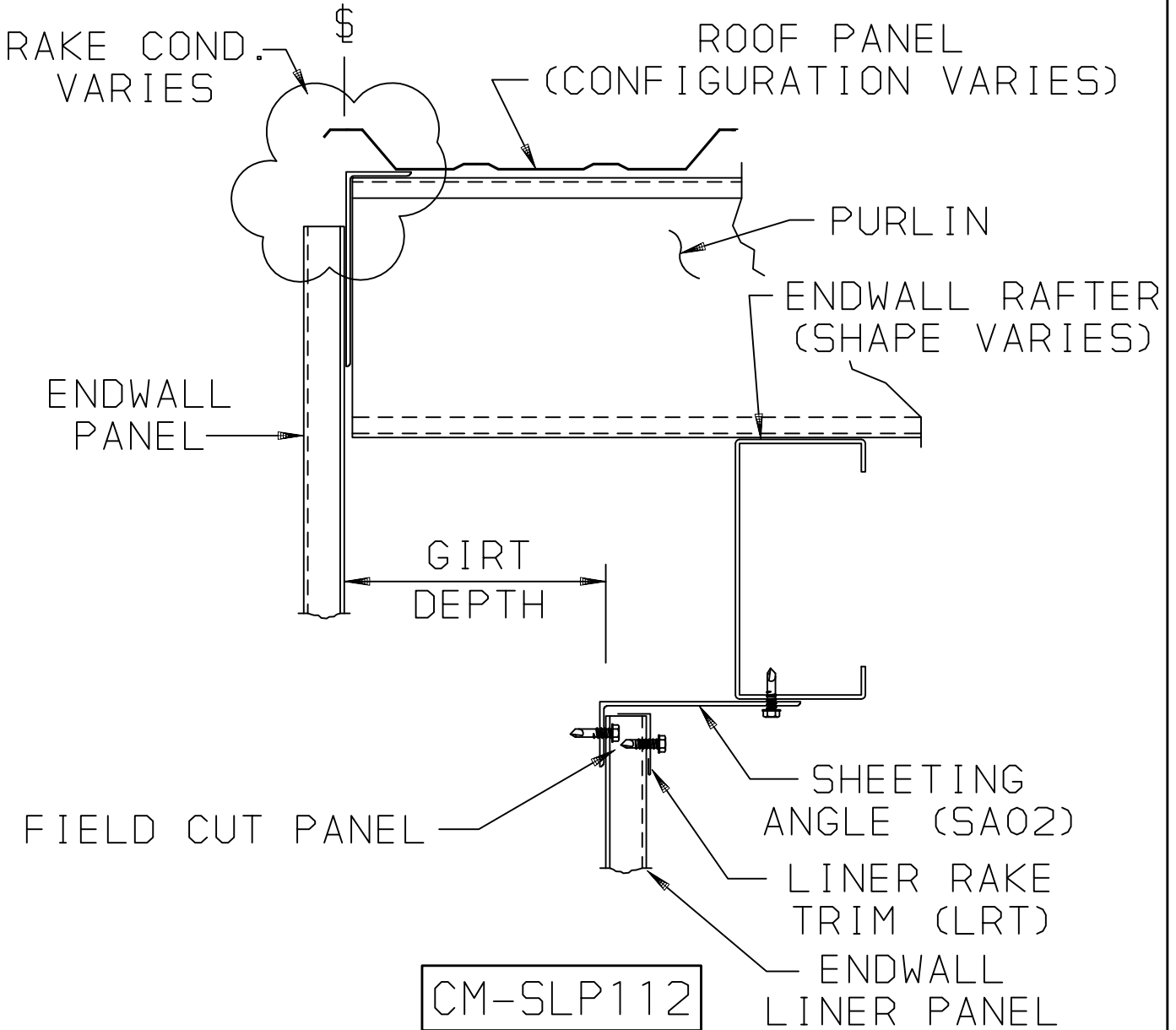
CM-SLP159

COMPUTER SERVICES NUMBER: CED\_CM-SLP159

THIS DETAIL IS NOT FOR CONSTRUCTION

SECTION: 7

NOTE: DUE TO KIRBY BUILDING SYSTEMS CONTINUING PROGRAM OF PRODUCT IMPROVEMENT, OUR CURRENT CUSTOM ERECTION DRAWINGS ARE BEING UPDATED. IF THERE IS A DISCREPANCY BETWEEN THIS DETAIL AND YOUR ERECTION DRAWINGS, THE ERECTION DRAWINGS GOVERN. ANY REFERENCES TO THIS DETAIL ARE SUBJECT TO CHANGE WITHOUT NOTICE.



LINER PANEL DETAIL AT ENDWALL  
WITH BY-FRAME GIRTS

ISSUE DATE: 3-17-06

REV.:

REV.:

REV.:

REV.:



BUILDING SYSTEMS  
124 KIRBY DRIVE, PORTLAND, TN 37148  
A DIVISION OF ASSOCIATED BUILDING SYSTEMS, INC.

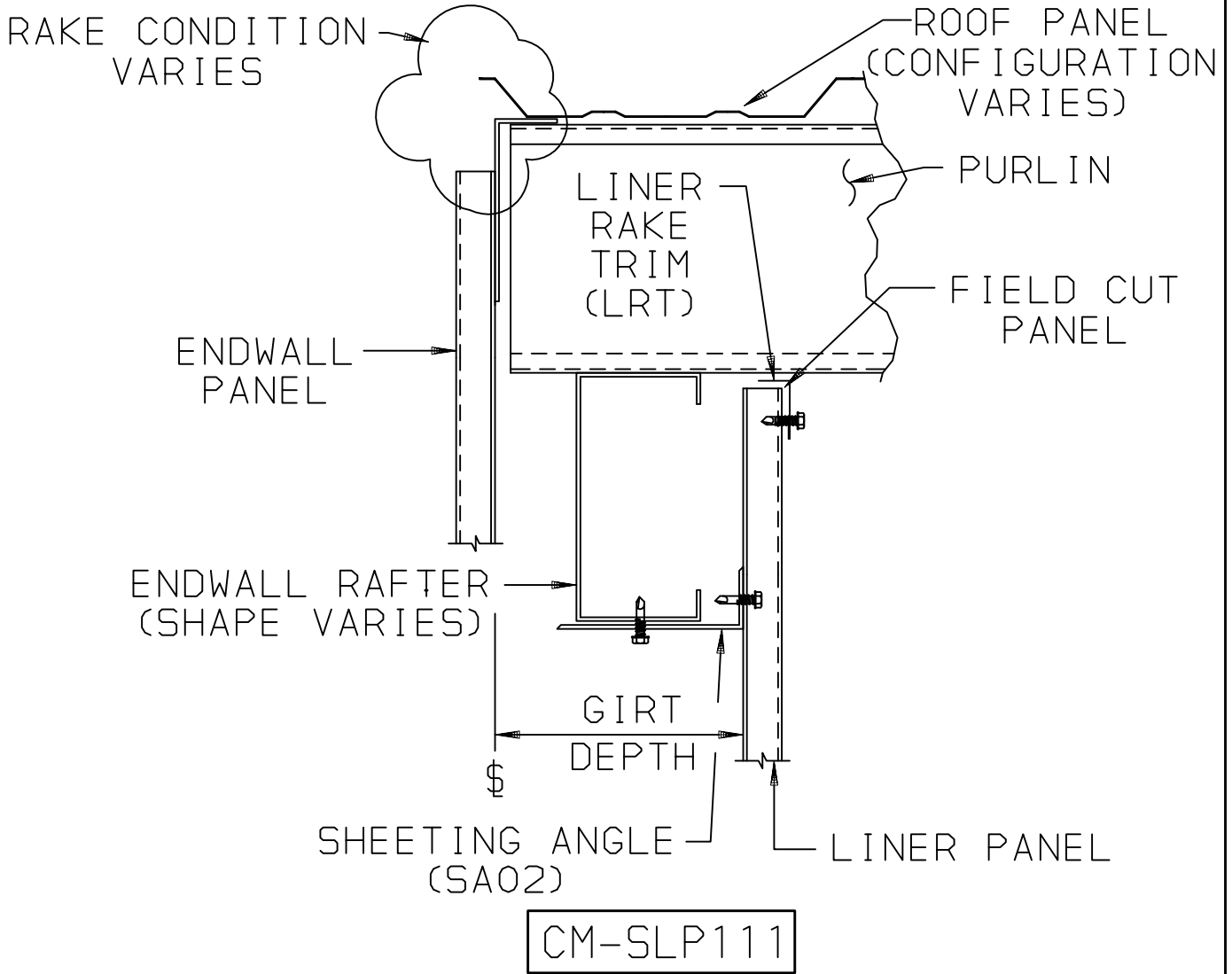
CM-SLP112

COMPUTER SERVICES NUMBER: CED\_CM-SLP112

THIS DETAIL IS NOT FOR CONSTRUCTION

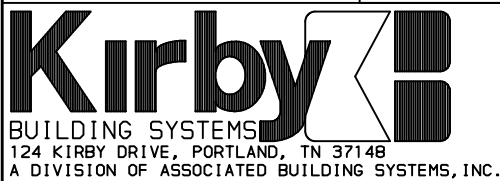
SECTION: 7

NOTE: DUE TO KIRBY BUILDING SYSTEMS CONTINUING PROGRAM OF PRODUCT IMPROVEMENT, OUR CURRENT CUSTOM ERECTION DRAWINGS ARE BEING UPDATED. IF THERE IS A DISCREPANCY BETWEEN THIS DETAIL AND YOUR ERECTION DRAWINGS, THE ERECTION DRAWINGS GOVERN. ANY REFERENCES TO THIS DETAIL ARE SUBJECT TO CHANGE WITHOUT NOTICE.



LINER PANEL DETAIL AT ENDWALL WITH FLUSH GIRTS

ISSUE DATE: 3-17-06    REV.:#    REV.:#    REV.:#    REV.:#



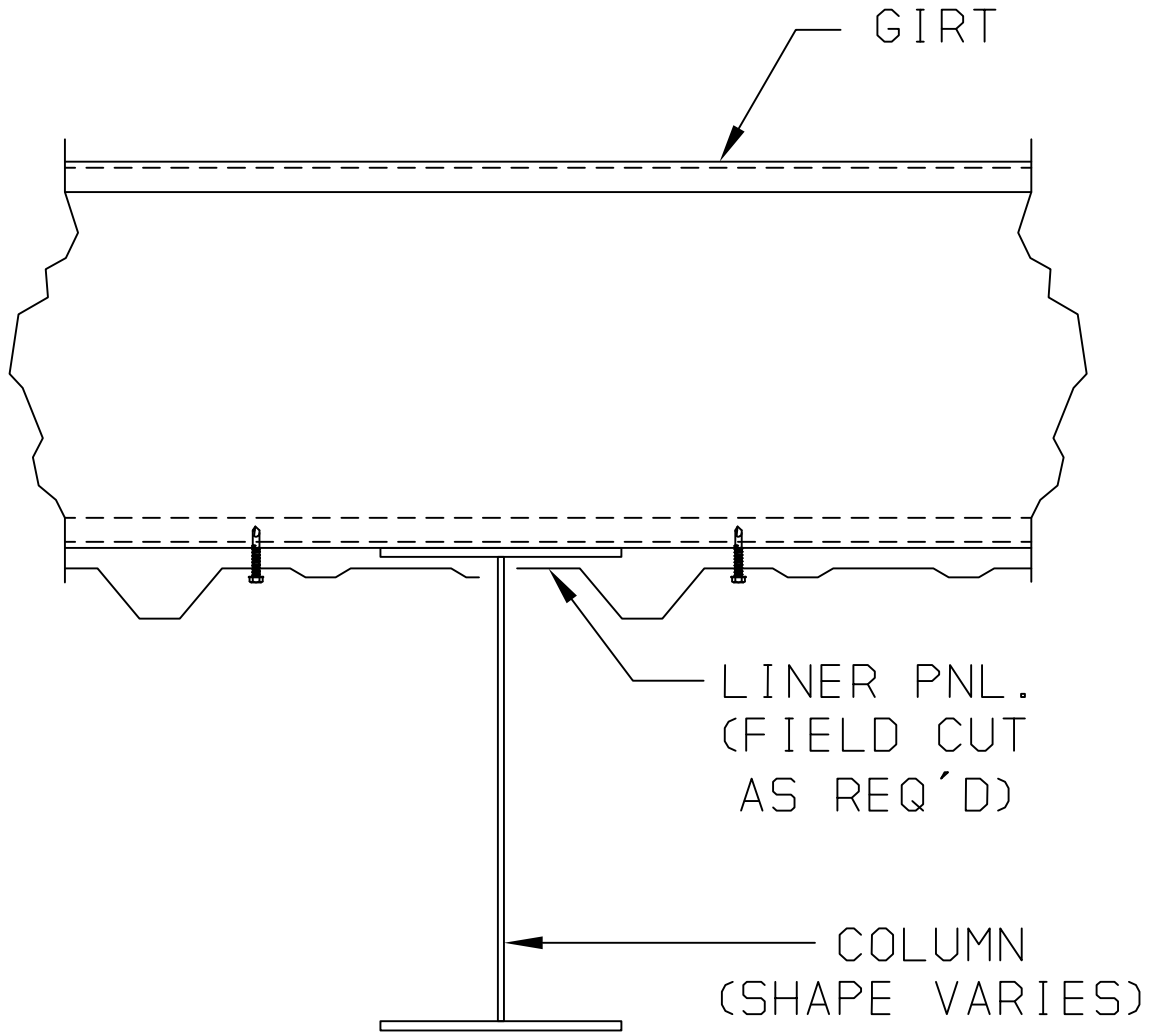
CM-SLP111

COMPUTER SERVICES NUMBER: CED\_CM-SLP111

THIS DETAIL IS NOT FOR CONSTRUCTION

SECTION: 7

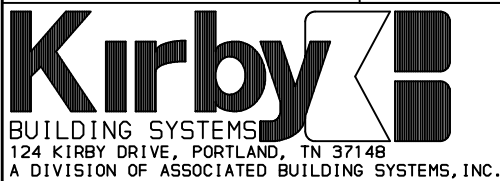
NOTE: DUE TO KIRBY BUILDING SYSTEMS CONTINUING PROGRAM OF PRODUCT IMPROVEMENT, OUR CURRENT CUSTOM ERECTION DRAWINGS ARE BEING UPDATED. IF THERE IS A DISCREPANCY BETWEEN THIS DETAIL AND YOUR ERECTION DRAWINGS, THE ERECTION DRAWINGS GOVERN. ANY REFERENCES TO THIS DETAIL ARE SUBJECT TO CHANGE WITHOUT NOTICE.



CM-SLP158

KIRBYRIB II LINER CONDITION WITH BY-FRAMED GIRTS

ISSUE DATE: 3-17-06    REV.:    REV.:    REV.:    REV.:



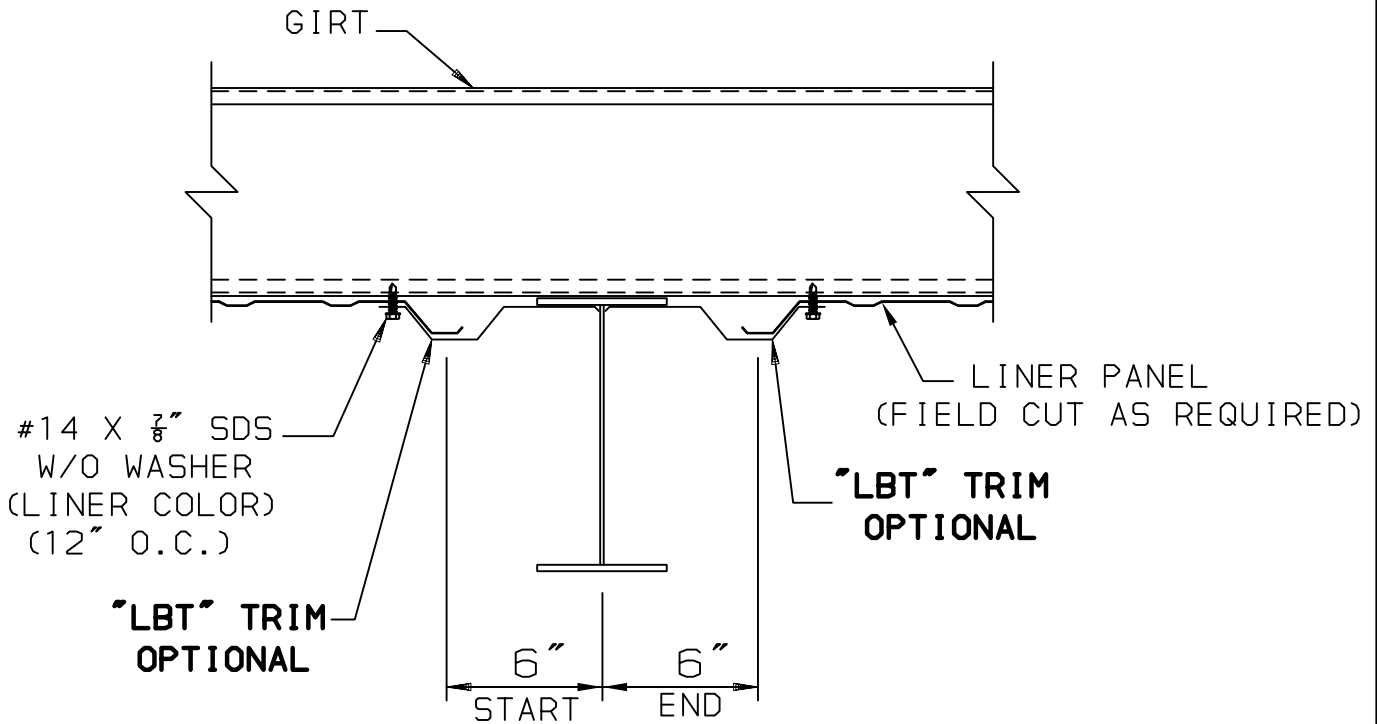
CM-SLP158

COMPUTER SERVICES NUMBER: CED\_CM-SLP158

THIS DETAIL IS NOT FOR CONSTRUCTION

SECTION: **7**

**NOTE:** DUE TO KIRBY BUILDING SYSTEMS CONTINUING PROGRAM OF PRODUCT IMPROVEMENT, OUR CURRENT CUSTOM ERECTION DRAWINGS ARE BEING UPDATED. IF THERE IS A DISCREPANCY BETWEEN THIS DETAIL AND YOUR ERECTION DRAWINGS, THE ERECTION DRAWINGS GOVERN. ANY REFERENCES TO THIS DETAIL ARE SUBJECT TO CHANGE WITHOUT NOTICE.



CM-SLP152

**LINER AT "I" COLUMN  
SIDEWALL OR ENDWALL COLUMN./BY-FRAME GIRTS**

ISSUE DATE: 3-17-06      REV.:#      REV.:#      REV.:#      REV.:#



BUILDING SYSTEMS  
124 KIRBY DRIVE, PORTLAND, TN 37148  
A DIVISION OF ASSOCIATED BUILDING SYSTEMS, INC.

CM-SLP152

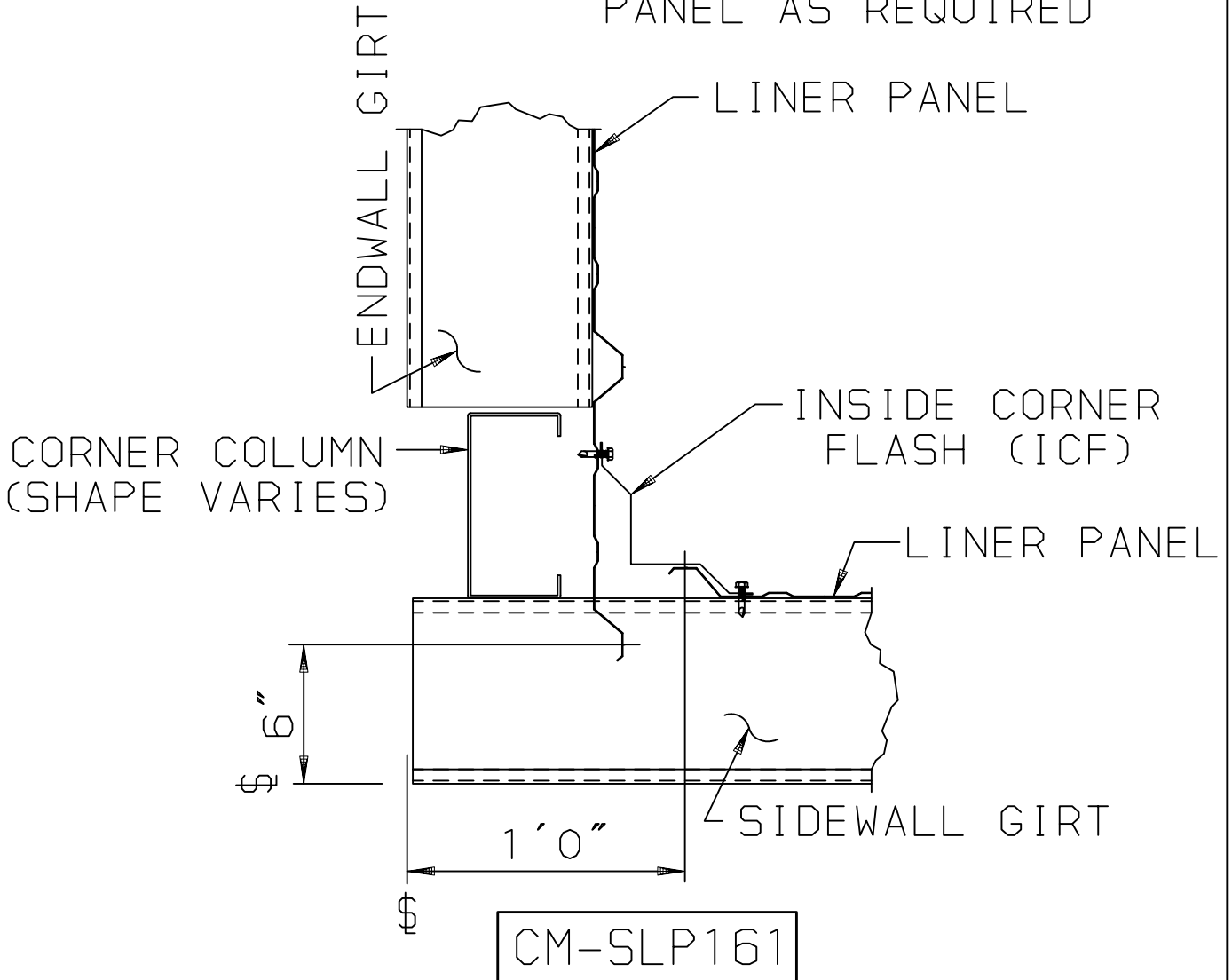
COMPUTER SERVICES NUMBER: **CED\_CM-SLP152**

THIS DETAIL IS NOT FOR CONSTRUCTION

SECTION: **7**

NOTE: DUE TO KIRBY BUILDING SYSTEMS CONTINUING PROGRAM OF PRODUCT IMPROVEMENT, OUR CURRENT CUSTOM ERECTION DRAWINGS ARE BEING UPDATED. IF THERE IS A DISCREPANCY BETWEEN THIS DETAIL AND YOUR ERECTION DRAWINGS, THE ERECTION DRAWINGS GOVERN. ANY REFERENCES TO THIS DETAIL ARE SUBJECT TO CHANGE WITHOUT NOTICE.

NOTE: FIELD CUT LINER PANEL AS REQUIRED



**LINER PANEL AT CORNER (FLUSH GIRTS)**

ISSUE DATE: 3-17-06

REV.:

REV.:

REV.:

REV.:



BUILDING SYSTEMS  
124 KIRBY DRIVE, PORTLAND, TN 37148  
A DIVISION OF ASSOCIATED BUILDING SYSTEMS, INC.

**CM-SLP161**

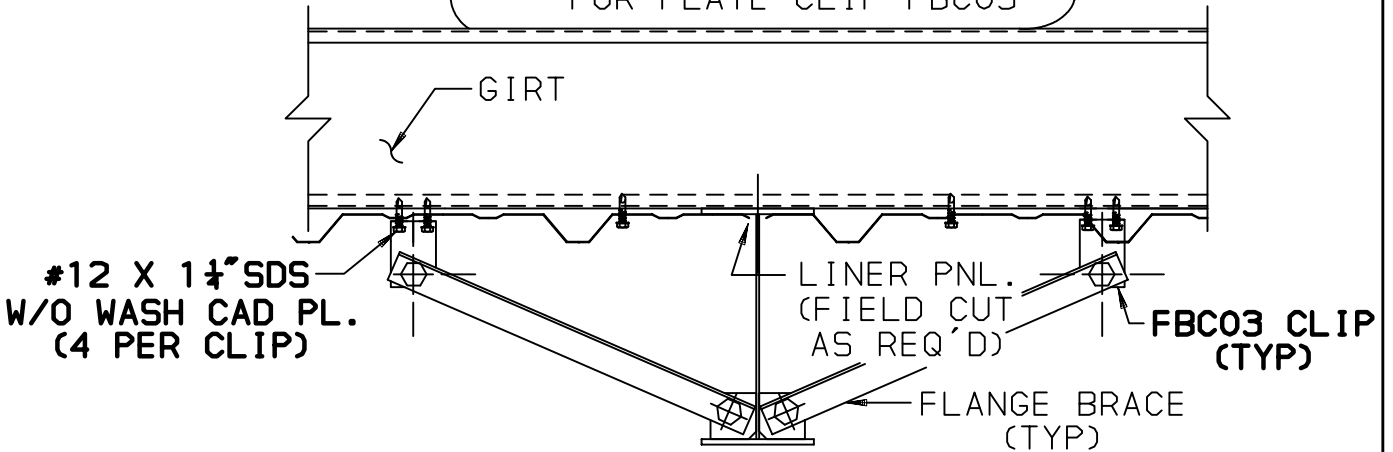
COMPUTER SERVICES NUMBER: **CED\_CM-SLP161**

THIS DETAIL IS NOT FOR CONSTRUCTION

SECTION: 7

NOTE: DUE TO KIRBY BUILDING SYSTEMS CONTINUING PROGRAM OF PRODUCT IMPROVEMENT, OUR CURRENT CUSTOM ERECTION DRAWINGS ARE BEING UPDATED. IF THERE IS A DISCREPANCY BETWEEN THIS DETAIL AND YOUR ERECTION DRAWINGS, THE ERECTION DRAWINGS GOVERN. ANY REFERENCES TO THIS DETAIL ARE SUBJECT TO CHANGE WITHOUT NOTICE.

NOTE: FIELD SLIT HIGH RIB OF LINER PANEL IF REQ'D. FOR PLATE CLIP FBC03



CM-SLP140

FLANGE BRACE ATTACHMENT AT LINER

ISSUE DATE: 3-17-06

REV.:

REV.:

REV.:

REV.:

**Kirby**

BUILDING SYSTEMS  
124 KIRBY DRIVE, PORTLAND, TN 37148  
A DIVISION OF ASSOCIATED BUILDING SYSTEMS, INC.

CM-SLP140

COMPUTER SERVICES NUMBER: CED\_CM-SLP140