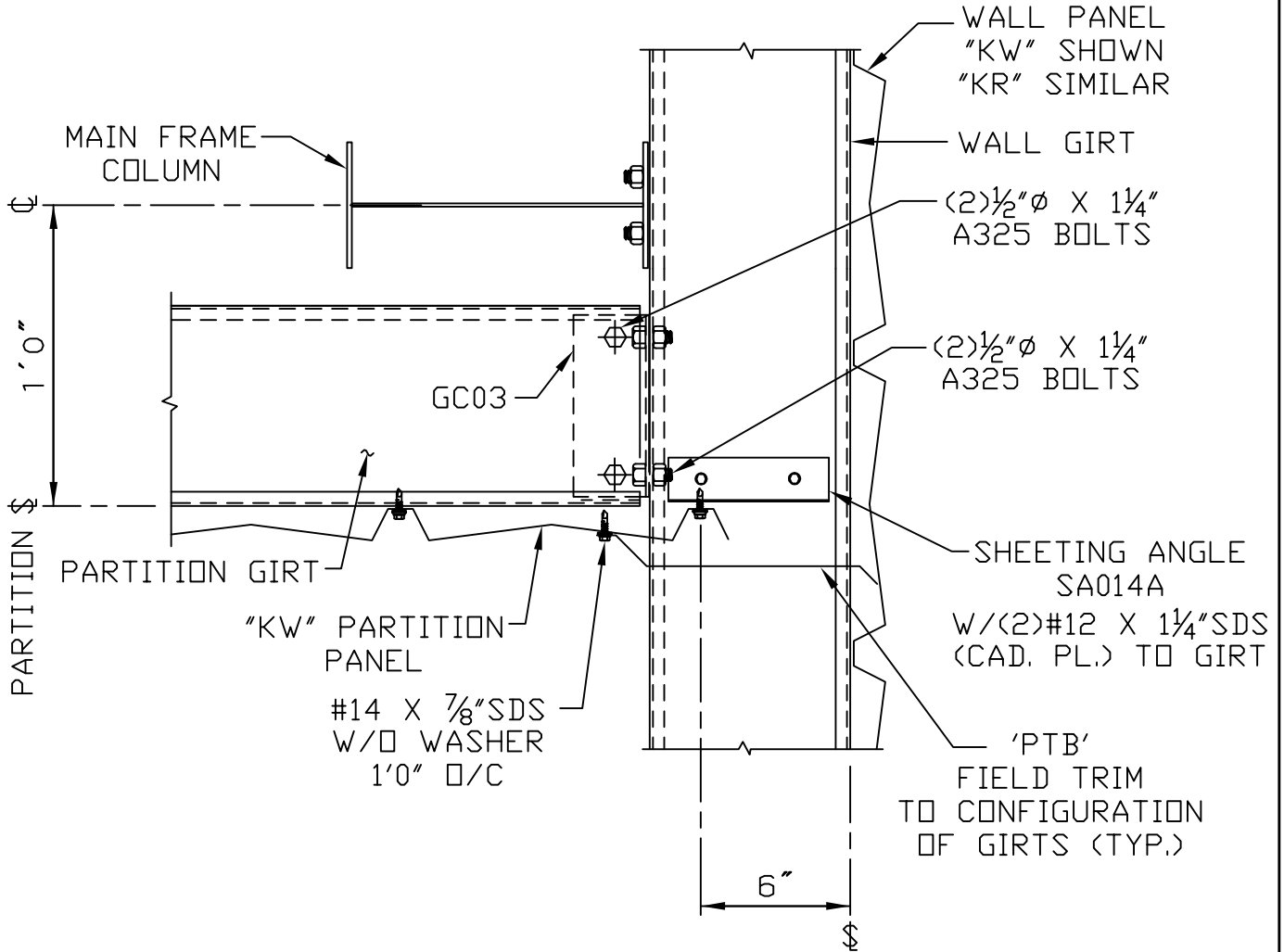


**THIS DETAIL IS NOT FOR CONSTRUCTION**

SECTION: **12**

**NOTE:** DUE TO KIRBY BUILDING SYSTEMS CONTINUING PROGRAM OF PRODUCT IMPROVEMENT, OUR CURRENT CUSTOM ERECTION DRAWINGS ARE BEING UPDATED. IF THERE IS A DISCREPANCY BETWEEN THIS DETAIL AND YOUR ERECTION DRAWINGS, THE ERECTION DRAWINGS GOVERN. ANY REFERENCES TO THIS DETAIL ARE SUBJECT TO CHANGE WITHOUT NOTICE.



CM-SPT100

**KIRBYWALL PARTITION STANDARD 1'0"  
OFF OF FRAME LINE BY-FRAMED SIDEWALL**

ISSUE DATE: 3-17-06

REV.:

REV.:

REV.:

REV.:



BUILDING SYSTEMS  
124 KIRBY DRIVE, PORTLAND, TN 37148  
A DIVISION OF ASSOCIATED BUILDING SYSTEMS, INC.

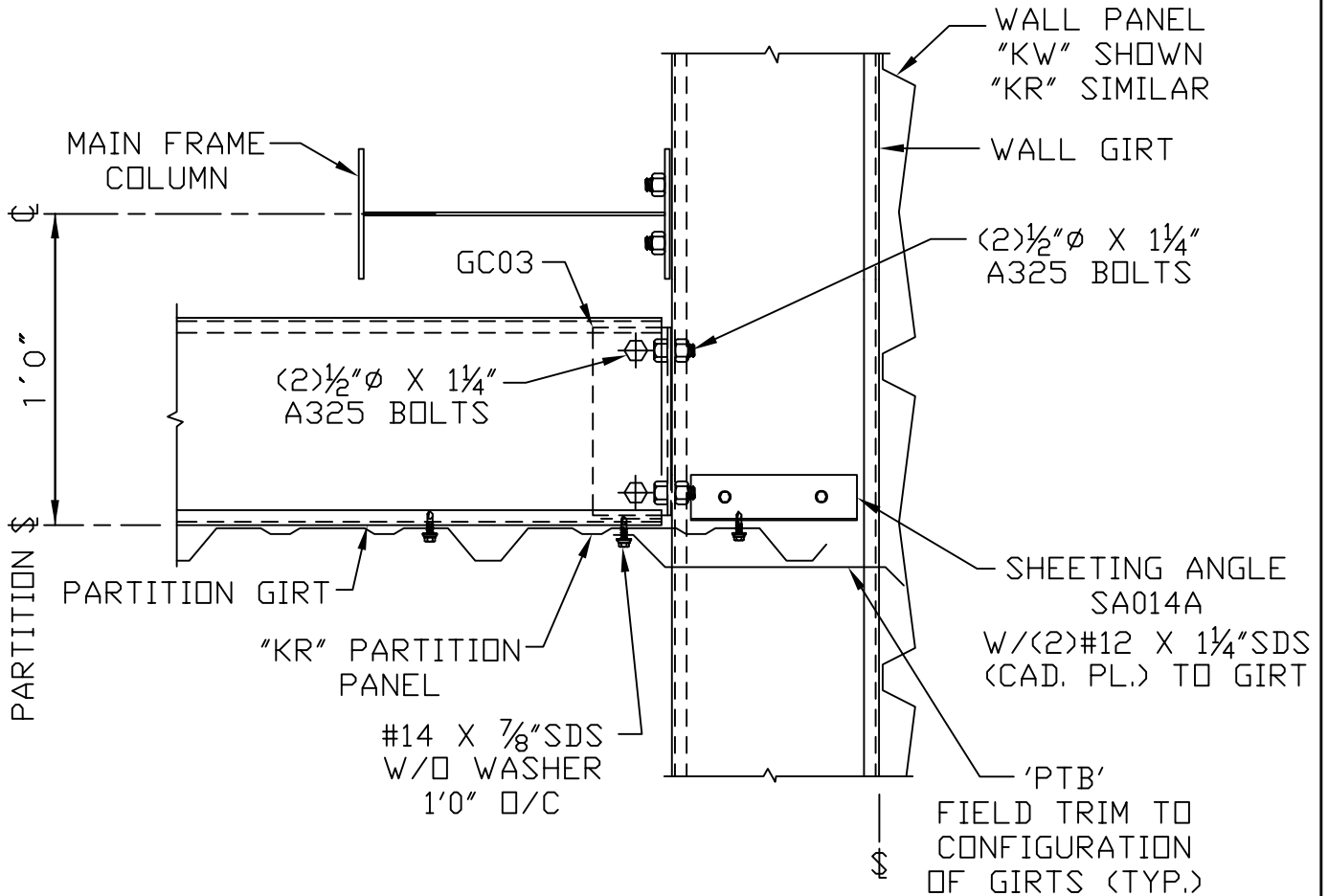
CM-SPT100

COMPUTER SERVICES NUMBER: **CED\_CM-SPT100**

**THIS DETAIL IS NOT FOR CONSTRUCTION**

SECTION: **12**

**NOTE:** DUE TO KIRBY BUILDING SYSTEMS CONTINUING PROGRAM OF PRODUCT IMPROVEMENT, OUR CURRENT CUSTOM ERECTION DRAWINGS ARE BEING UPDATED. IF THERE IS A DISCREPANCY BETWEEN THIS DETAIL AND YOUR ERECTION DRAWINGS, THE ERECTION DRAWINGS GOVERN. ANY REFERENCES TO THIS DETAIL ARE SUBJECT TO CHANGE WITHOUT NOTICE.



CM-SPT101

**KIRBYRIB II PARTITION STANDARD  
1'0" OFF FRAME LINE BY-FRAMED SIDEWALL**

ISSUE DATE: 3-17-06

REV.:

REV.:

REV.:

REV.:



BUILDING SYSTEMS  
124 KIRBY DRIVE, PORTLAND, TN 37148  
A DIVISION OF ASSOCIATED BUILDING SYSTEMS, INC.

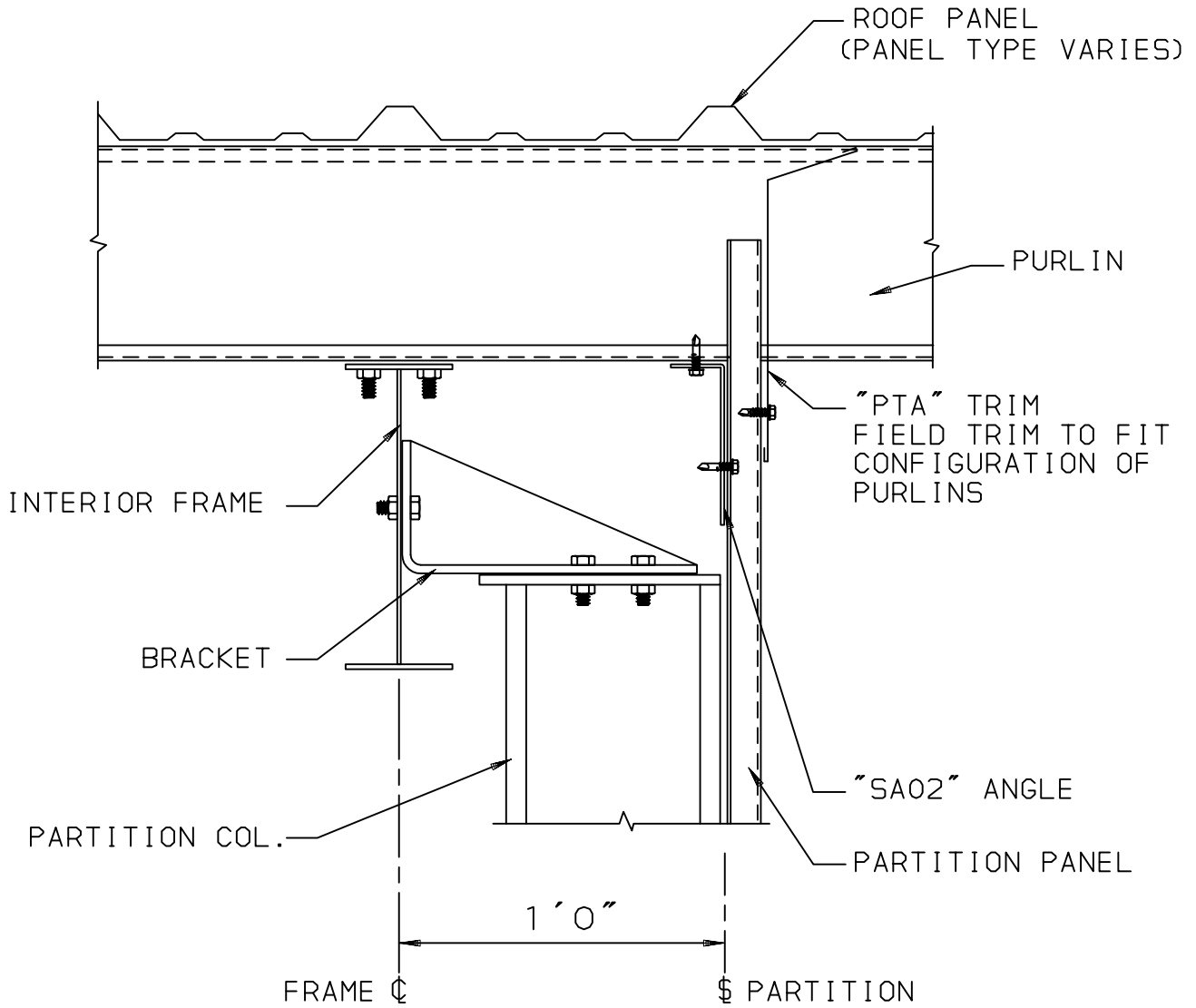
CM-SPT101

COMPUTER SERVICES NUMBER: **CED\_CM-SPT101**

**THIS DETAIL IS NOT FOR CONSTRUCTION**

SECTION: **12**

**NOTE:** DUE TO KIRBY BUILDING SYSTEMS CONTINUING PROGRAM OF PRODUCT IMPROVEMENT, OUR CURRENT CUSTOM ERECTION DRAWINGS ARE BEING UPDATED. IF THERE IS A DISCREPANCY BETWEEN THIS DETAIL AND YOUR ERECTION DRAWINGS, THE ERECTION DRAWINGS GOVERN. ANY REFERENCES TO THIS DETAIL ARE SUBJECT TO CHANGE WITHOUT NOTICE.



CM-SPT110

**STANDARD PARTITION 1'0" OFF OF FRAME LINE**

ISSUE DATE: 3-17-06

REV.:

REV.:

REV.:

REV.:

**Kirby**

BUILDING SYSTEMS

124 KIRBY DRIVE, PORTLAND, TN 37148

A DIVISION OF ASSOCIATED BUILDING SYSTEMS, INC.

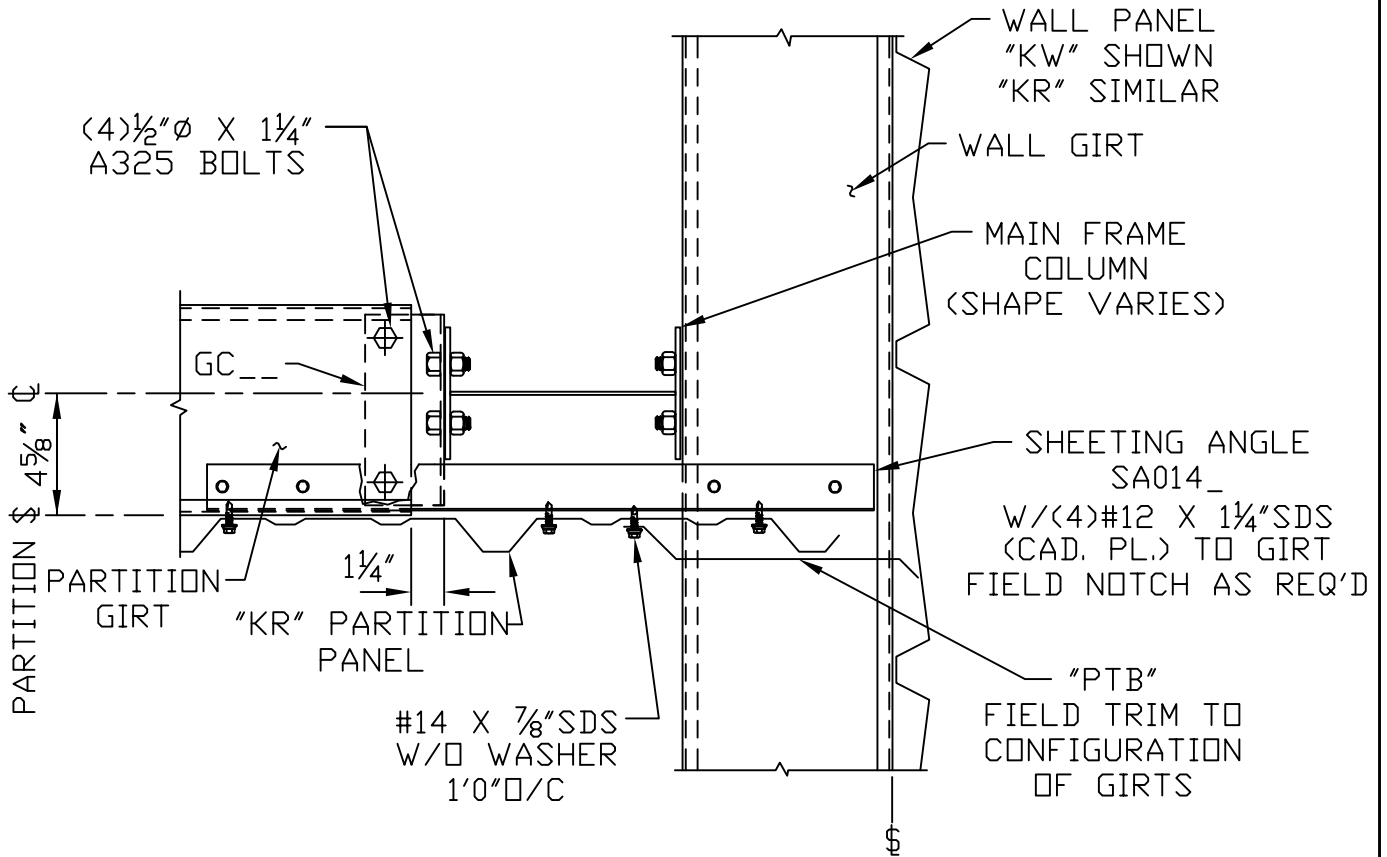
CM-SPT110

COMPUTER SERVICES NUMBER: **CED\_CM-SPT110**

**THIS DETAIL IS NOT FOR CONSTRUCTION**

SECTION: **12**

**NOTE:** DUE TO KIRBY BUILDING SYSTEMS CONTINUING PROGRAM OF PRODUCT IMPROVEMENT, OUR CURRENT CUSTOM ERECTION DRAWINGS ARE BEING UPDATED. IF THERE IS A DISCREPANCY BETWEEN THIS DETAIL AND YOUR ERECTION DRAWINGS, THE ERECTION DRAWINGS GOVERN. ANY REFERENCES TO THIS DETAIL ARE SUBJECT TO CHANGE WITHOUT NOTICE.



CM-SPT103

**KIRBYRIB II PARTITION FLUSH FRAMED  
(4 5/8" OFF FRAME LINE) BY-FRAMED SIDEWALL**

ISSUE DATE: 3-17-06

REV.:

REV.:

REV.:

REV.:



BUILDING SYSTEMS  
124 KIRBY DRIVE, PORTLAND, TN 37148  
A DIVISION OF ASSOCIATED BUILDING SYSTEMS, INC.

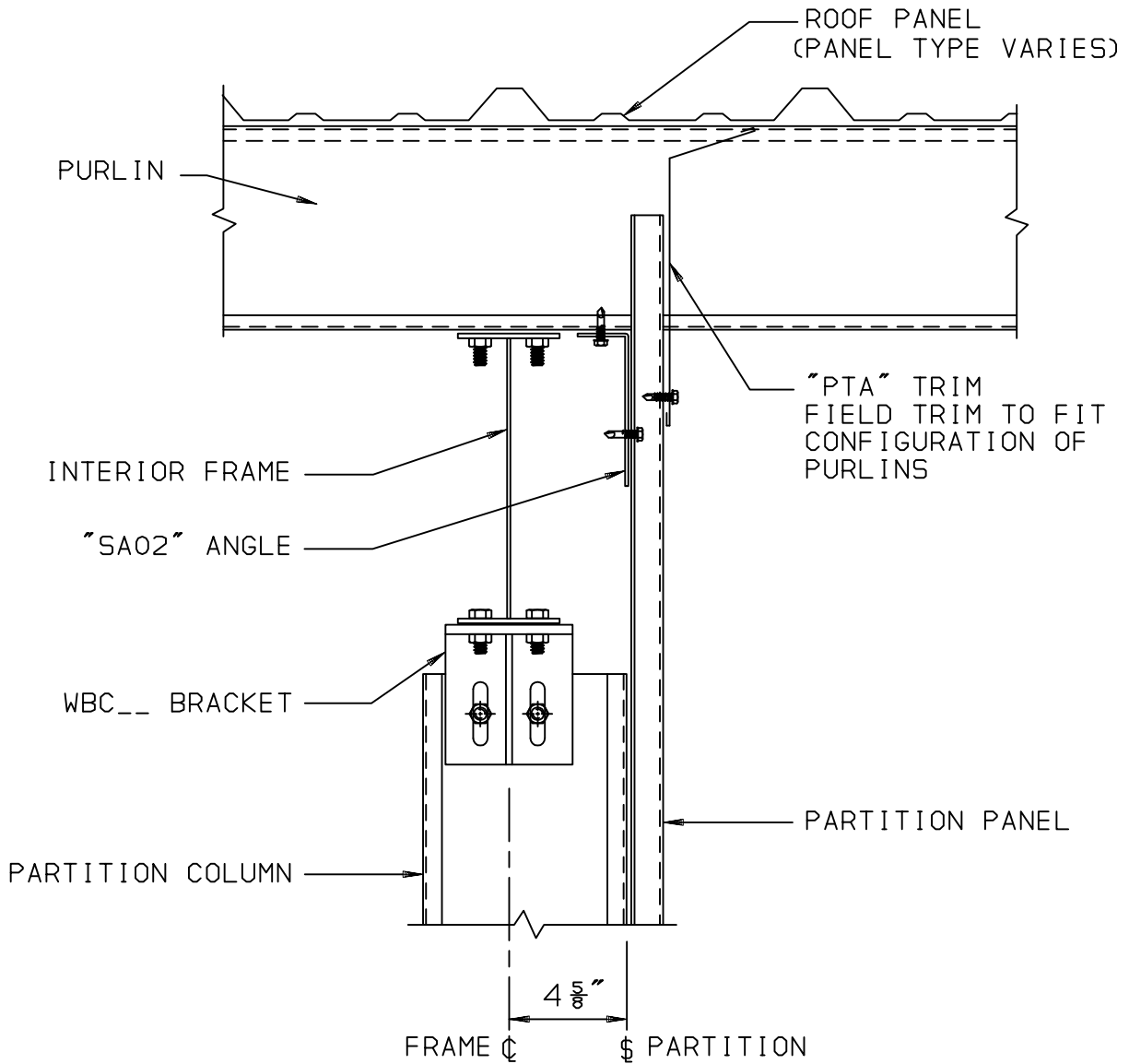
CM-SPT103

COMPUTER SERVICES NUMBER: **CED\_CM-SPT103**

**THIS DETAIL IS NOT FOR CONSTRUCTION**

SECTION: **12**

**NOTE:** DUE TO KIRBY BUILDING SYSTEMS CONTINUING PROGRAM OF PRODUCT IMPROVEMENT, OUR CURRENT CUSTOM ERECTION DRAWINGS ARE BEING UPDATED. IF THERE IS A DISCREPANCY BETWEEN THIS DETAIL AND YOUR ERECTION DRAWINGS, THE ERECTION DRAWINGS GOVERN. ANY REFERENCES TO THIS DETAIL ARE SUBJECT TO CHANGE WITHOUT NOTICE.



CM-SPT111

**FLUSH FRAMED PARTITION (4<sup>5</sup>/<sub>8</sub>" OFF OF FRAME LINE)**

ISSUE DATE: 3-17-06

REV.:

REV.:

REV.:

REV.:



BUILDING SYSTEMS  
124 KIRBY DRIVE, PORTLAND, TN 37148  
A DIVISION OF ASSOCIATED BUILDING SYSTEMS, INC.

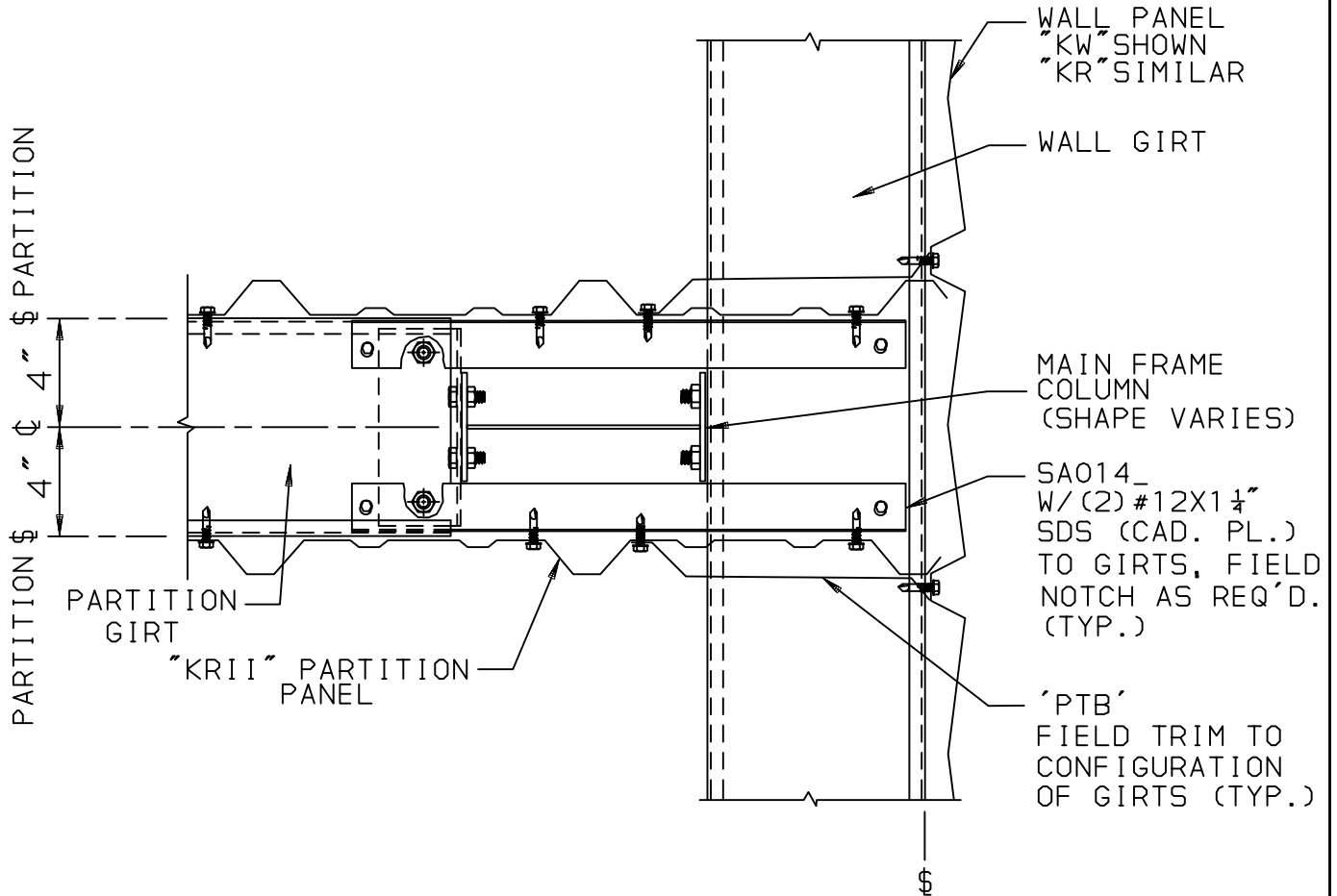
CM-SPT111

COMPUTER SERVICES NUMBER: **CED\_CM-SPT111**

THIS DETAIL IS NOT FOR CONSTRUCTION

SECTION: **12**

NOTE: DUE TO KIRBY BUILDING SYSTEMS CONTINUING PROGRAM OF PRODUCT IMPROVEMENT, OUR CURRENT CUSTOM ERECTION DRAWINGS ARE BEING UPDATED. IF THERE IS A DISCREPANCY BETWEEN THIS DETAIL AND YOUR ERECTION DRAWINGS, THE ERECTION DRAWINGS GOVERN. ANY REFERENCES TO THIS DETAIL ARE SUBJECT TO CHANGE WITHOUT NOTICE.



CM-SPT107

**FLUSH FRAMED KIRBYRIB II PARTITION SHEETED ON BOTH SIDES BY-FRAMED SIDEWALL**

ISSUE DATE: 3-17-06

REV.:

REV.:

REV.:

REV.:



BUILDING SYSTEMS  
124 KIRBY DRIVE, PORTLAND, TN 37148  
A DIVISION OF ASSOCIATED BUILDING SYSTEMS, INC.

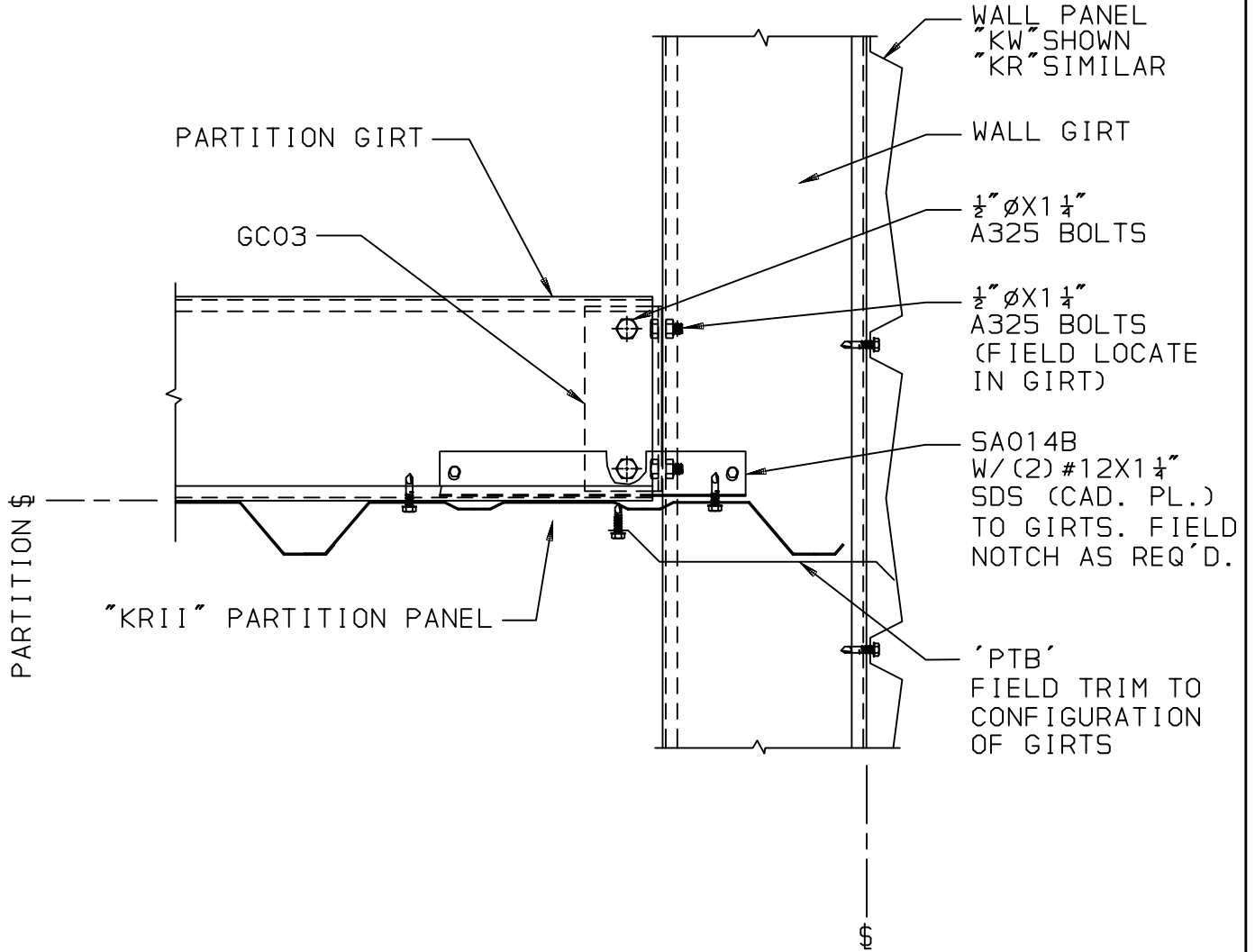
CM-SPT107

COMPUTER SERVICES NUMBER: **CED\_CM-SPT107**

**THIS DETAIL IS NOT FOR CONSTRUCTION**

SECTION: **12**

**NOTE:** DUE TO KIRBY BUILDING SYSTEMS CONTINUING PROGRAM OF PRODUCT IMPROVEMENT, OUR CURRENT CUSTOM ERECTION DRAWINGS ARE BEING UPDATED. IF THERE IS A DISCREPANCY BETWEEN THIS DETAIL AND YOUR ERECTION DRAWINGS, THE ERECTION DRAWINGS GOVERN. ANY REFERENCES TO THIS DETAIL ARE SUBJECT TO CHANGE WITHOUT NOTICE.



CM-SPT109

**KIRBYRIB II PARTITION BETWEEN FRAMES**

ISSUE DATE: 3-17-06    REV.:    REV.:    REV.:    REV.:



BUILDING SYSTEMS  
124 KIRBY DRIVE, PORTLAND, TN 37148  
A DIVISION OF ASSOCIATED BUILDING SYSTEMS, INC.

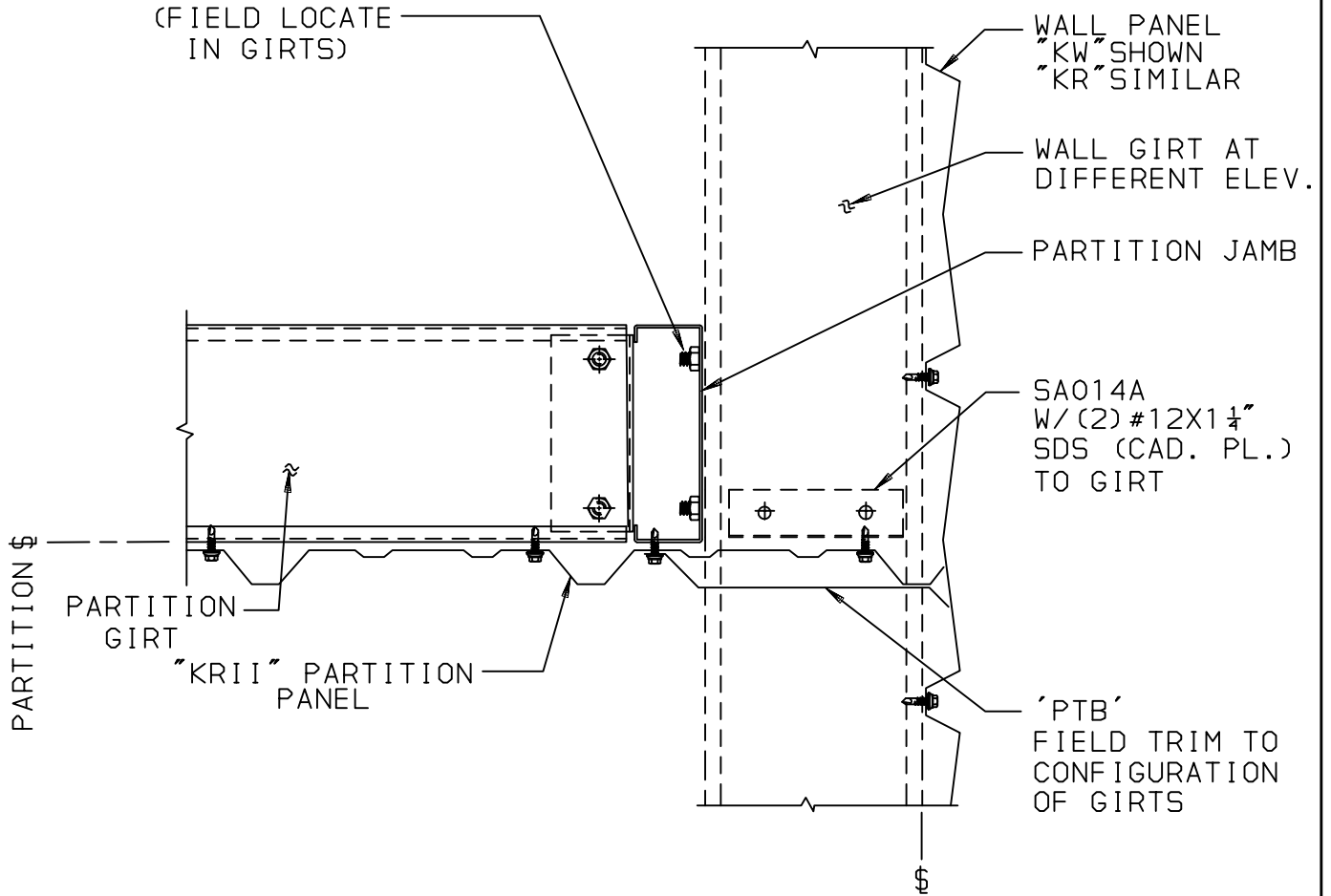
CM-SPT109

COMPUTER SERVICES NUMBER: **CED\_CM-SPT109**

**THIS DETAIL IS NOT FOR CONSTRUCTION**

SECTION: **12**

**NOTE:** DUE TO KIRBY BUILDING SYSTEMS CONTINUING PROGRAM OF PRODUCT IMPROVEMENT, OUR CURRENT CUSTOM ERECTION DRAWINGS ARE BEING UPDATED. IF THERE IS A DISCREPANCY BETWEEN THIS DETAIL AND YOUR ERECTION DRAWINGS, THE ERECTION DRAWINGS GOVERN. ANY REFERENCES TO THIS DETAIL ARE SUBJECT TO CHANGE WITHOUT NOTICE.



CM-SPT105

**KIRBYRIB II PARTITION BETWEEN FRAMES  
(GIRT ELEVATIONS DO NOT MATCH)**

ISSUE DATE: 3-17-06

REV.:

REV.:

REV.:

REV.:

**Kirby**

BUILDING SYSTEMS  
124 KIRBY DRIVE, PORTLAND, TN 37148  
A DIVISION OF ASSOCIATED BUILDING SYSTEMS, INC.

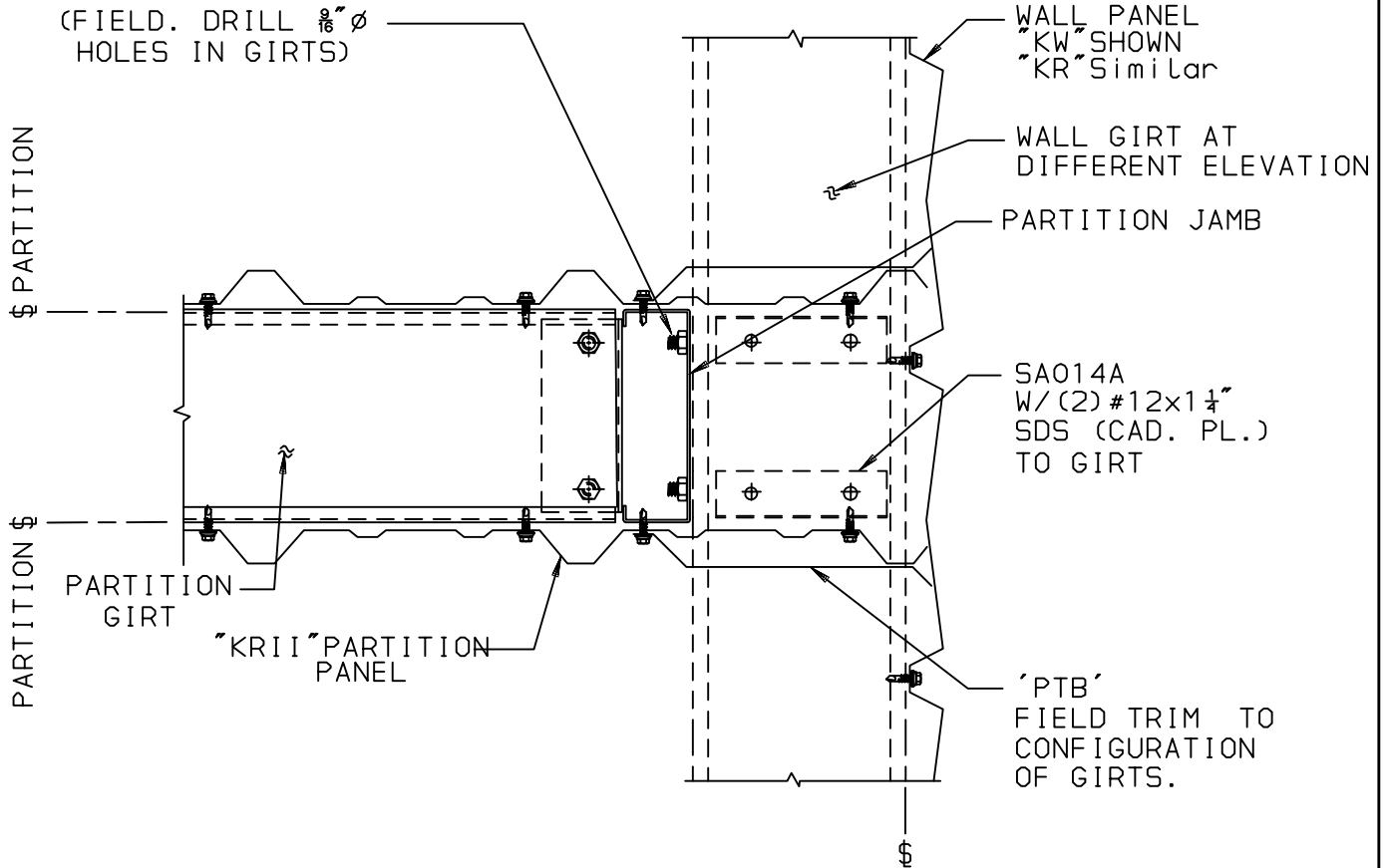
CM-SPT105

COMPUTER SERVICES NUMBER: **CED\_CM-SPT105**

**THIS DETAIL IS NOT FOR CONSTRUCTION**

SECTION: **12**

**NOTE:** DUE TO KIRBY BUILDING SYSTEMS CONTINUING PROGRAM OF PRODUCT IMPROVEMENT, OUR CURRENT CUSTOM ERECTION DRAWINGS ARE BEING UPDATED. IF THERE IS A DISCREPANCY BETWEEN THIS DETAIL AND YOUR ERECTION DRAWINGS, THE ERECTION DRAWINGS GOVERN. ANY REFERENCES TO THIS DETAIL ARE SUBJECT TO CHANGE WITHOUT NOTICE.



CM-SPT112

**KIRBYRIB II PARTITION BETWEEN FRAMES  
PANELS ON BOTH SIDES OF PARTITION  
(GIRT ELEVATION DO NOT MATCH)**

ISSUE DATE: 3-17-06

REV.:

REV.:

REV.:

REV.:



BUILDING SYSTEMS  
124 KIRBY DRIVE, PORTLAND, TN 37148  
A DIVISION OF ASSOCIATED BUILDING SYSTEMS, INC.

**CM-SPT112**

COMPUTER SERVICES NUMBER: **CED\_CM-SPT112**