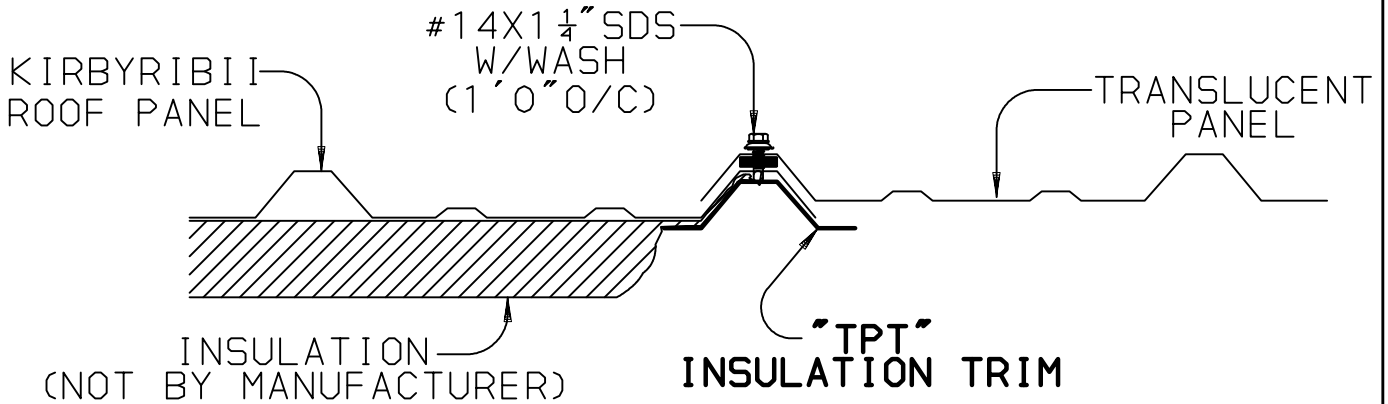


THIS DETAIL IS NOT FOR CONSTRUCTION

SECTION: **9**

NOTE: DUE TO KIRBY BUILDING SYSTEMS CONTINUING PROGRAM OF PRODUCT IMPROVEMENT, OUR CURRENT CUSTOM ERECTION DRAWINGS ARE BEING UPDATED. IF THERE IS A DISCREPANCY BETWEEN THIS DETAIL AND YOUR ERECTION DRAWINGS, THE ERECTION DRAWINGS GOVERN. ANY REFERENCES TO THIS DETAIL ARE SUBJECT TO CHANGE WITHOUT NOTICE.



CM-SPL180

KIRBYRIBII TRANSLUCENT PANEL WITH INSULATION TRIM

ISSUE DATE: 3-17-06

REV.:

REV.:

REV.:

REV.:



BUILDING SYSTEMS
124 KIRBY DRIVE, PORTLAND, TN 37148
A DIVISION OF ASSOCIATED BUILDING SYSTEMS, INC.

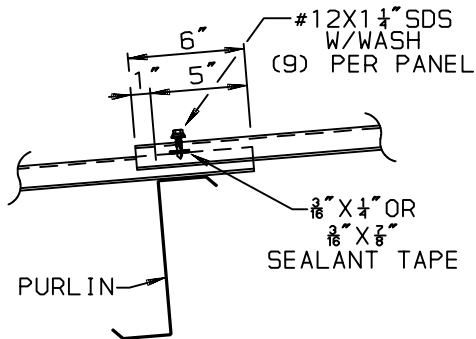
CM-SPL180

COMPUTER SERVICES NUMBER: **CED_CM-SPL180**

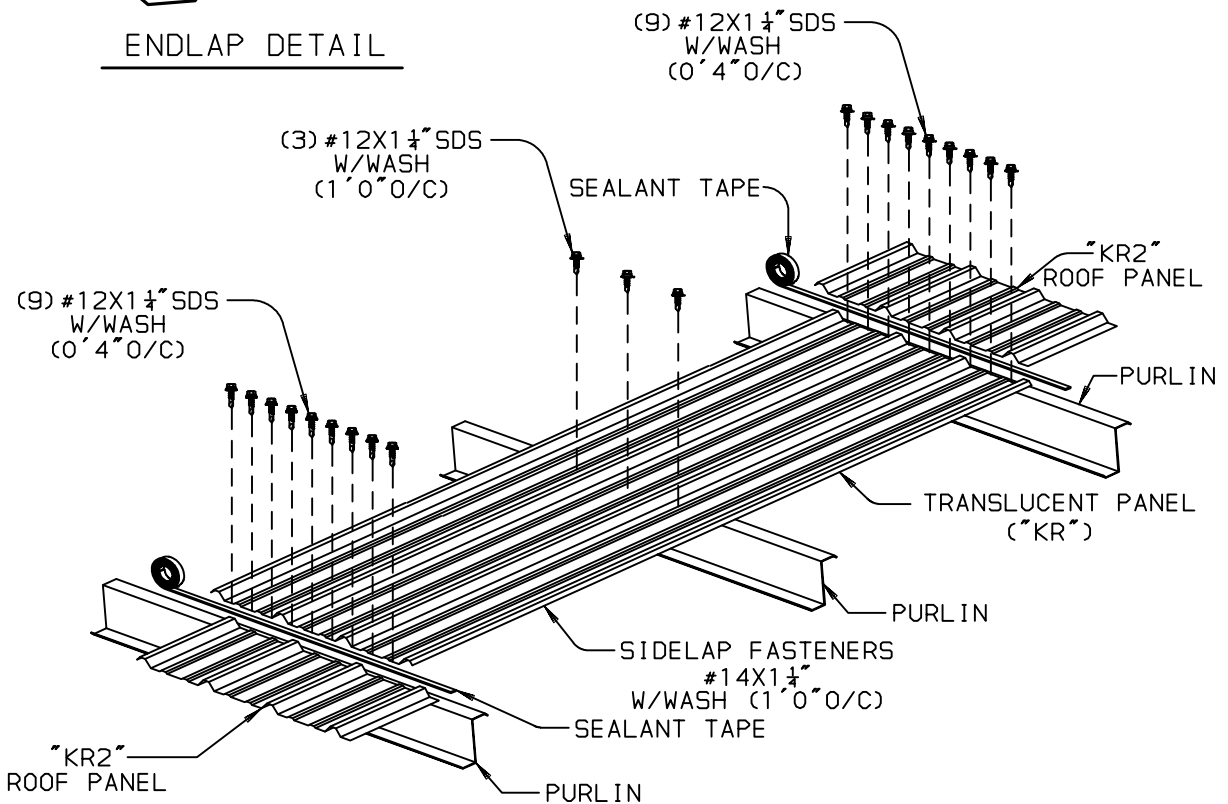
THIS DETAIL IS NOT FOR CONSTRUCTION

SECTION: **9**

NOTE: DUE TO KIRBY BUILDING SYSTEMS CONTINUING PROGRAM OF PRODUCT IMPROVEMENT, OUR CURRENT CUSTOM ERECTION DRAWINGS ARE BEING UPDATED. IF THERE IS A DISCREPANCY BETWEEN THIS DETAIL AND YOUR ERECTION DRAWINGS, THE ERECTION DRAWINGS GOVERN. ANY REFERENCES TO THIS DETAIL ARE SUBJECT TO CHANGE WITHOUT NOTICE.



ENDLAP DETAIL



CM-SPL181

**KIRBYRIB II TRANSLUCENT PANEL
INSTALLATION NON-UL RATED**

ISSUE DATE: 3-17-06

REV.:

REV.:

REV.:

REV.:



BUILDING SYSTEMS
124 KIRBY DRIVE, PORTLAND, TN 37148
A DIVISION OF ASSOCIATED BUILDING SYSTEMS, INC.

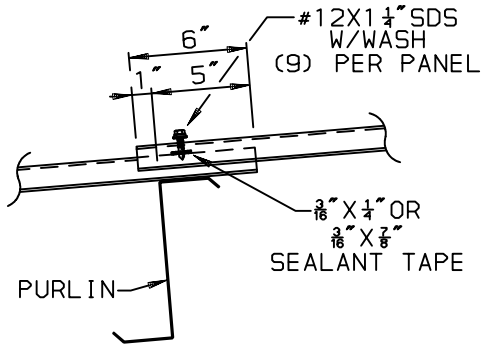
CM-SPL181

COMPUTER SERVICES NUMBER: **CED_CM-SPL181**

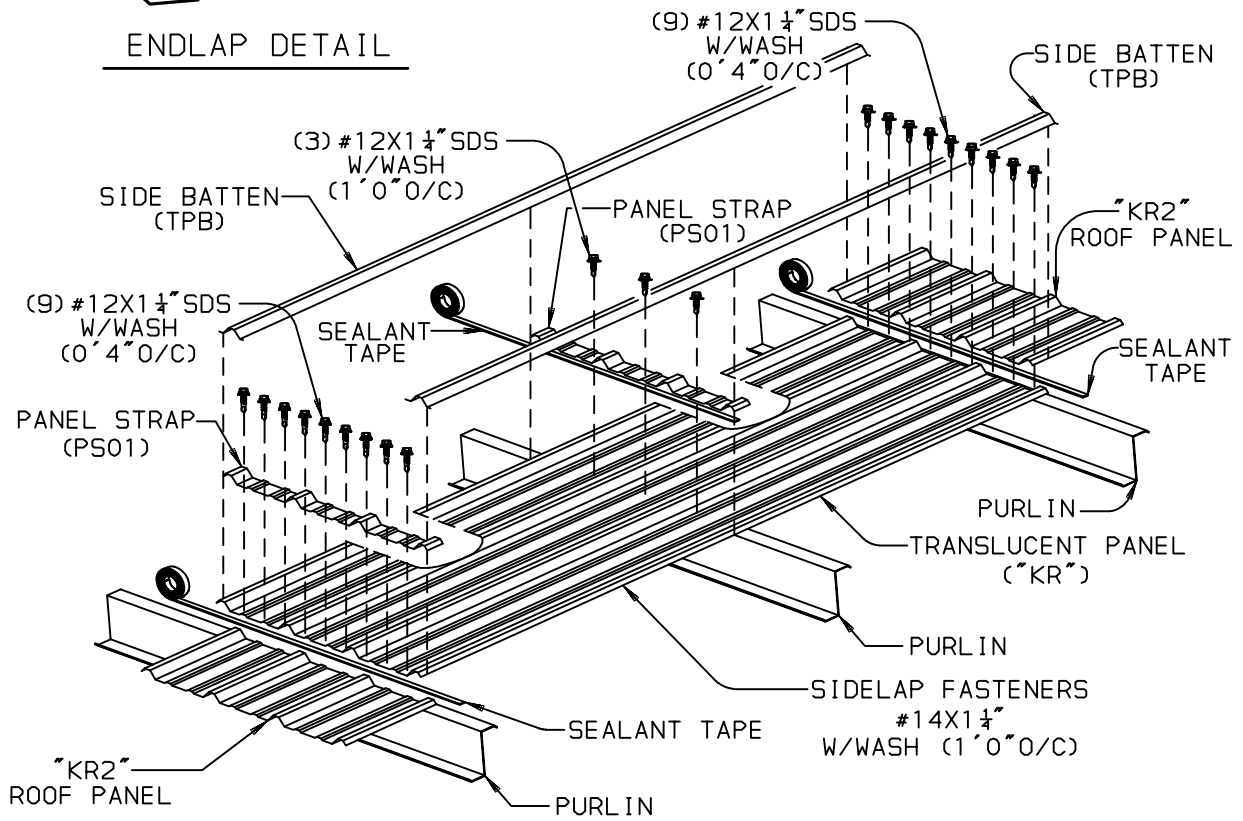
THIS DETAIL IS NOT FOR CONSTRUCTION

SECTION: **9**

NOTE: DUE TO KIRBY BUILDING SYSTEMS CONTINUING PROGRAM OF PRODUCT IMPROVEMENT, OUR CURRENT CUSTOM ERECTION DRAWINGS ARE BEING UPDATED. IF THERE IS A DISCREPANCY BETWEEN THIS DETAIL AND YOUR ERECTION DRAWINGS, THE ERECTION DRAWINGS GOVERN. ANY REFERENCES TO THIS DETAIL ARE SUBJECT TO CHANGE WITHOUT NOTICE.



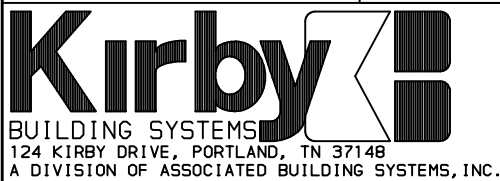
ENDLAP DETAIL



CM-SPL182

TRANSLUCENT PANEL INSTALLATION UL90 RATED

ISSUE DATE: 3-17-06 REV.:# REV.:# REV.:# REV.:#



CM-SPL182

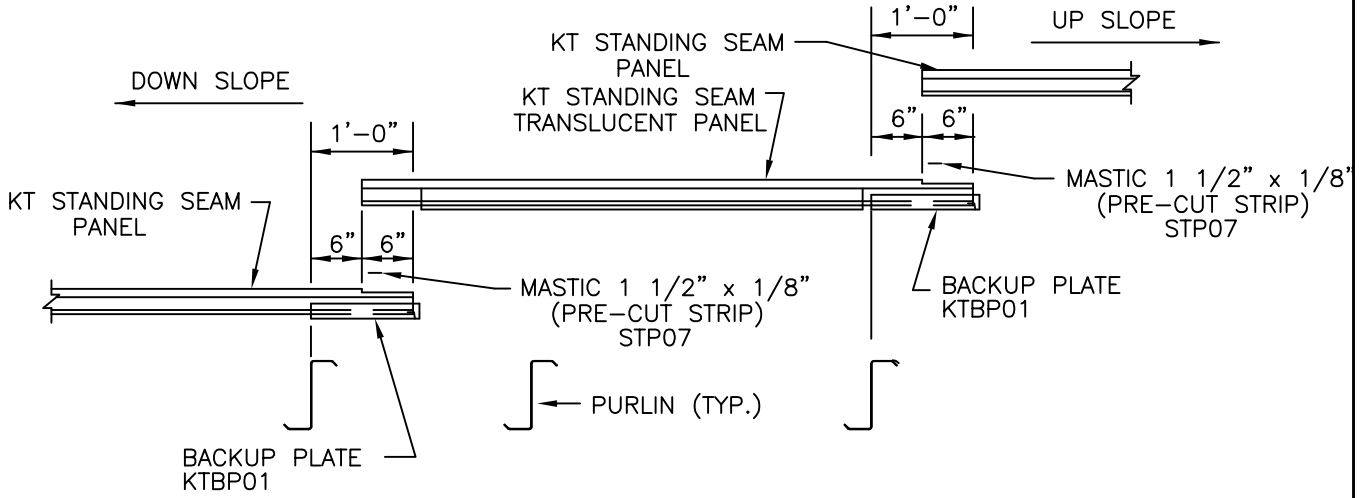
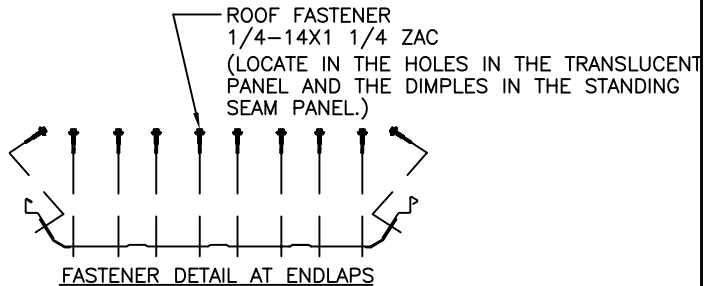
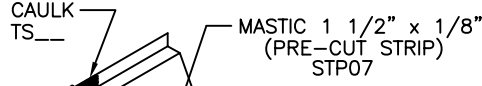
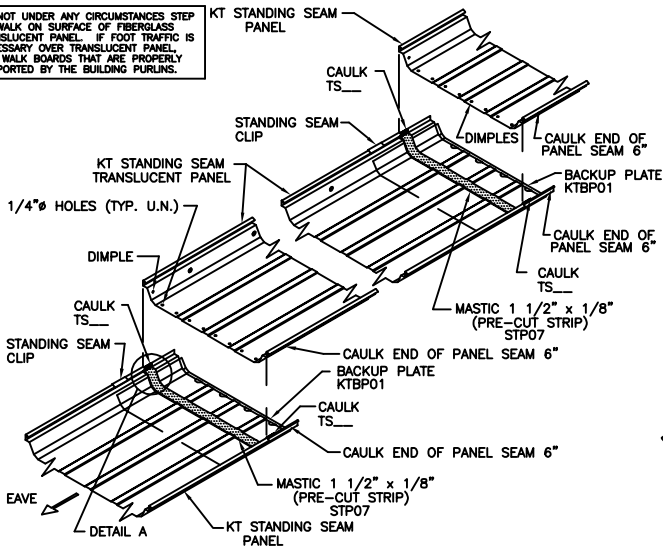
COMPUTER SERVICES NUMBER: **CED_CM-SPL182**

THIS DETAIL IS NOT FOR CONSTRUCTION

SECTION: **9**

NOTE: DUE TO KIRBY BUILDING SYSTEMS CONTINUING PROGRAM OF PRODUCT IMPROVEMENT, OUR CURRENT CUSTOM ERECTION DRAWINGS ARE BEING UPDATED. IF THERE IS A DISCREPANCY BETWEEN THIS DETAIL AND YOUR ERECTION DRAWINGS, THE ERECTION DRAWINGS GOVERN. ANY REFERENCES TO THIS DETAIL ARE SUBJECT TO CHANGE WITHOUT NOTICE.

DO NOT UNDER ANY CIRCUMSTANCES STEP OR WALK ON SURFACE OF FIBERGLASS TRANSLUCENT PANEL. IF FOOT TRAFFIC IS NECESSARY OVER TRANSLUCENT PANEL, USE WALK BOARDS THAT ARE PROPERLY SUPPORTED BY THE BUILDING PURLINS.

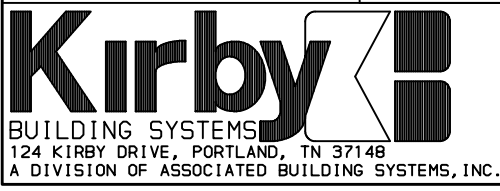


TRANSLUCENT PANEL INSTALLATION DETAIL CM-SPL801

KT UL90 STANDING SEAM TRANSLUCENT PANEL

**TRANSLUCENT PANEL INSTALLATION DETAIL
(KT UL90 STANDING SEAM TRANSLUCENT PANEL)**

ISSUE DATE: 3-17-06	REV.:	REV.:	REV.:
---------------------	-------	-------	-------



CM-SPL801

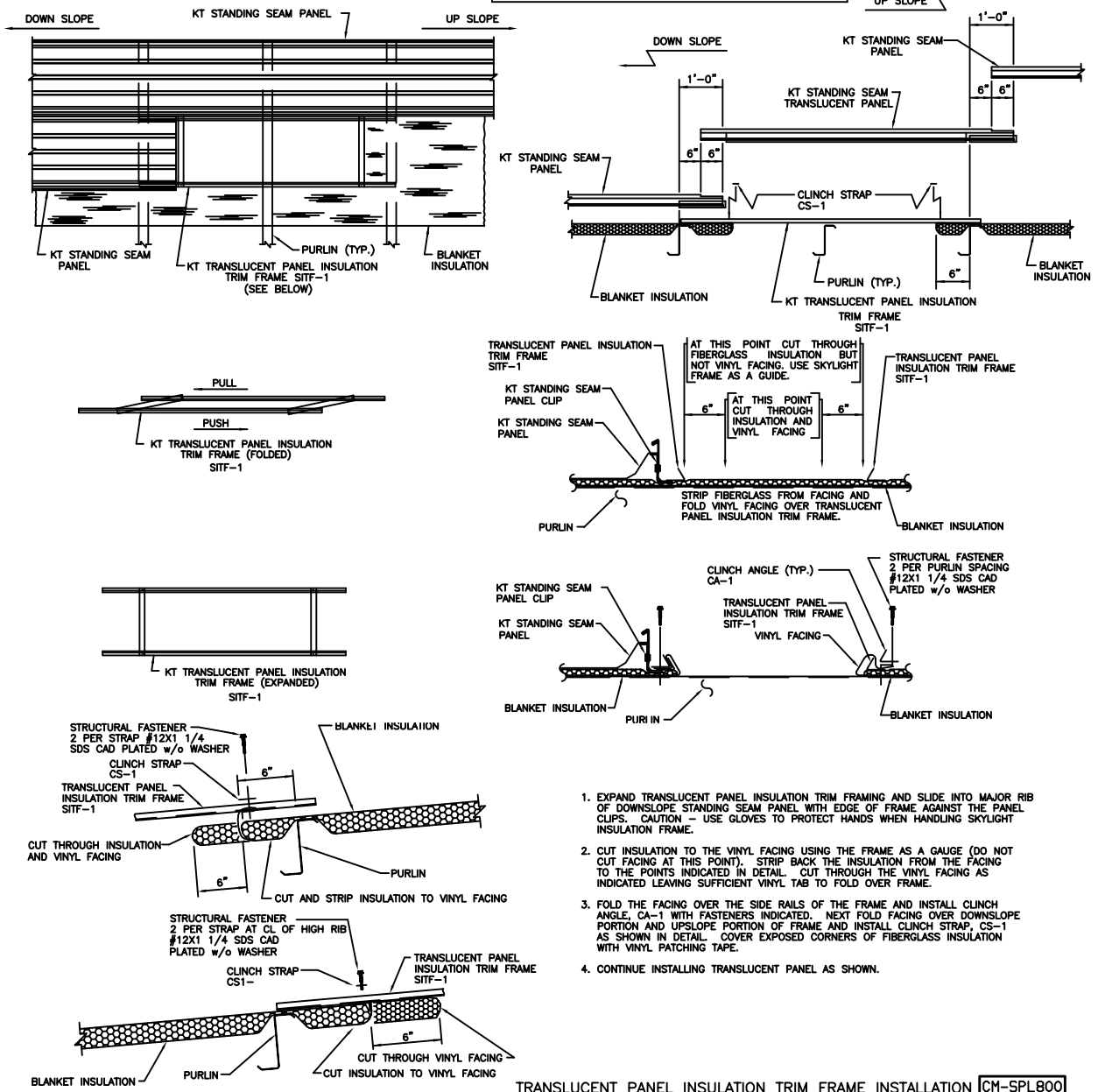
COMPUTER SERVICES NUMBER: **CED_CM-SPL801**

THIS DETAIL IS NOT FOR CONSTRUCTION

SECTION: 9

NOTE: DUE TO KIRBY BUILDING SYSTEMS CONTINUING PROGRAM OF PRODUCT IMPROVEMENT, OUR CURRENT CUSTOM ERECTION DRAWINGS ARE BEING UPDATED. IF THERE IS A DISCREPANCY BETWEEN THIS DETAIL AND YOUR ERECTION DRAWINGS, THE ERECTION DRAWINGS GOVERN. ANY REFERENCES TO THIS DETAIL ARE SUBJECT TO CHANGE WITHOUT NOTICE.

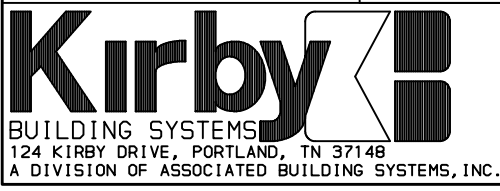
DO NOT UNDER ANY CIRCUMSTANCES STEP OR WALK ON SURFACE OF TRANSLUCENT PANEL. IF FOOT TRAFFIC IS NECESSARY OVER TRANSLUCENT PANEL, USE WALK BOARDS THAT ARE PROPERLY SUPPORTED BY THE BUILDING PURLINS.



TRANSLUCENT PANEL INSULATION TRIM FRAME INSTALLATION CM-SPL800
KT UL90 STANDING SEAM TRANSLUCENT PANEL

TRANSLUCENT PANEL INSULATION TRIM FRAME INSTALLATION (KT UL90 STANDING SEAM TRANSLUCENT PANEL)

ISSUE DATE: 3-17-06 REV.1 REV.1 REV.1 REV.1

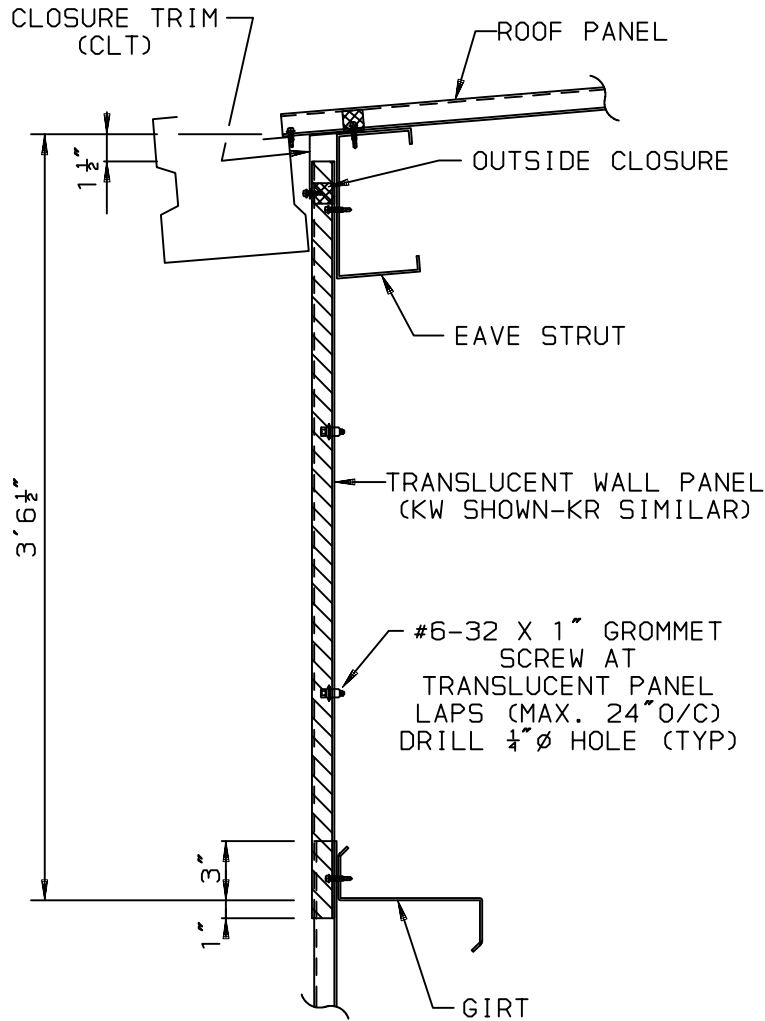


CM-SPL800
COMPUTER SERVICES NUMBER: CED_CM-SPL800

THIS DETAIL IS NOT FOR CONSTRUCTION

SECTION: **9**

NOTE: DUE TO KIRBY BUILDING SYSTEMS CONTINUING PROGRAM OF PRODUCT IMPROVEMENT, OUR CURRENT CUSTOM ERECTION DRAWINGS ARE BEING UPDATED. IF THERE IS A DISCREPANCY BETWEEN THIS DETAIL AND YOUR ERECTION DRAWINGS, THE ERECTION DRAWINGS GOVERN. ANY REFERENCES TO THIS DETAIL ARE SUBJECT TO CHANGE WITHOUT NOTICE.



**NOTE: FIELD CUT
STANDARD 10' 6" SHEETS
INTO THREE EQUAL
LENGTHS**

CM-SPL151

**TRANSLUCENT WALL PANEL DETAIL
3'6" PANEL LENGTH**

ISSUE DATE: 3-17-06

REV.:

REV.:

REV.:

REV.:



BUILDING SYSTEMS
124 KIRBY DRIVE, PORTLAND, TN 37148
A DIVISION OF ASSOCIATED BUILDING SYSTEMS, INC.

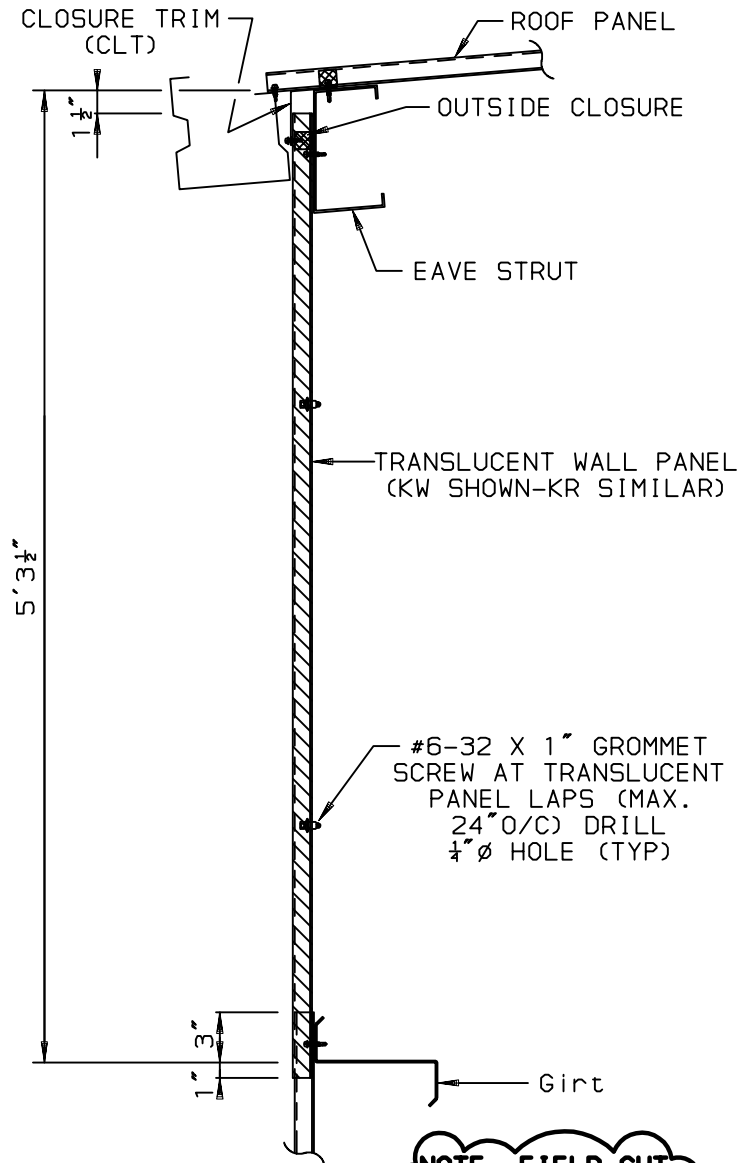
CM-SPL151

COMPUTER SERVICES NUMBER: **CED_CM-SPL151**

THIS DETAIL IS NOT FOR CONSTRUCTION

SECTION: **9**

NOTE: DUE TO KIRBY BUILDING SYSTEMS CONTINUING PROGRAM OF PRODUCT IMPROVEMENT, OUR CURRENT CUSTOM ERECTION DRAWINGS ARE BEING UPDATED. IF THERE IS A DISCREPANCY BETWEEN THIS DETAIL AND YOUR ERECTION DRAWINGS, THE ERECTION DRAWINGS GOVERN. ANY REFERENCES TO THIS DETAIL ARE SUBJECT TO CHANGE WITHOUT NOTICE.



NOTE, FIELD CUT STANDARD 10' 6" SHEETS IN HALF

CM-SPL152

**TRANSLUCENT WALL PANEL DETAIL
5'3" PANEL LENGTH**

ISSUE DATE: 3-17-06	REV.:	REV.:	REV.:	REV.:
---------------------	-------	-------	-------	-------

Kirby
BUILDING SYSTEMS
124 KIRBY DRIVE, PORTLAND, TN 37148
A DIVISION OF ASSOCIATED BUILDING SYSTEMS, INC.

CM-SPL152

COMPUTER SERVICES NUMBER: **CED_CM-SPL152**